

CATALOG #0307

Texas Style 4 Post Lifts



all part
supply, inc.

ALL PART FOR ALL BRANDS

★ American Lift, Challenger Lift, Eagle Lift,
Forward Manufacturing, Gemini Lift, Grand,
New Grand, Worth Manufacturing ★

1-800-381-1330



Table of Contents

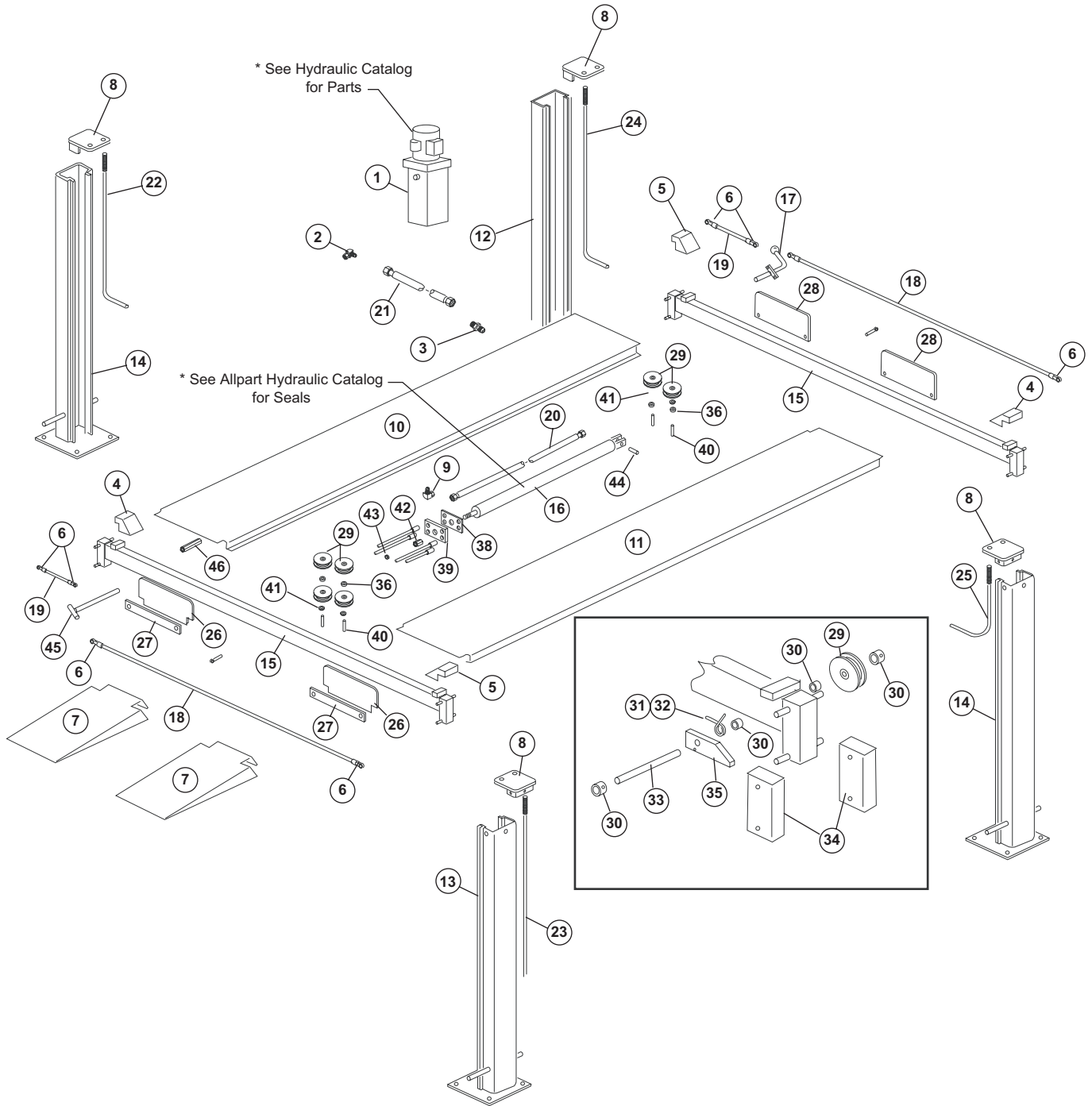
7K lbs Hobby Lift Eagle, Gemini, Tuxedo	Page 2
American Lift / Lift Distributors	Page 4
Challenger Lifts Made By Holmac	Page 9
Eagle Lift	Page 14
Forward Lift	Page 19
Gemini Lift	Page 24
Grand / New Grand	Page 30
Worth	Page 36

PRIVATE LABEL AND OTHER SIMILAR BRANDS

AAMCO	See Challenger	p. 9	Lesco	See Eagle	p. 14
ASSSA / ALAMO	See Eagle	p. 14	Manitowoc	See American	p. 4
Atlas / Baymaster	See Gemini	p. 24	Team Lift	See Eagle	p. 14
Ford Smith	See American	p. 4	Temco	See Gemini	p. 24
Globe	See American	p. 4	Weaver	See Grand	p. 30
JMC	See Gemini	p.24	Western	See American	p.4

IMPORT & DOMESTIC 7K lbs. CABLE LIFT

ILLUSTRATIONS ARE FOR REFERENCE ONLY AND MAY NOT BE EXACT REPRESENTATION



IMPORT & DOMESTIC

7K lbs. CABLE LIFT

COMMON PARTS to all 7K Lift Models

7K lbs. CABLE LIFT

ITEM	PART NUMBER	DESCRIPTION	ITEM	PART NUMBER	DESCRIPTION
1	AB1396	Power Unit	32	EA-016-005	Spring RH
2	6801-6-6	Elbow Fitting, Power Unit	33	EA-337-135	Latch Support Rod
3	2701-6-6	Elbow Fitting, Bulkhead	34	EA-060-003	Rub Block
4	EA-337-130	Cover, Pulley LH Side	35	EA-337-137	Safety Latch
5	EA-337-131	Cover, Pulley RH Side	36	EA-019-033	Spacer 3/4"
6	EA-019-003	Heim End	37	EA-019-034	Spacer, 1.5"
7	EA-337-244	Ramp	38	EA-337-220	Cable Retainer Block
8	EA-337-340	Leg, Cap	39	EA-337-219	Cable, Lock Plate
9	2501-6-6	Elbow Fitting, Cylinder	40	HHG8.75C3.5S	Bolt, Sheaves
21	HY106-71	Hydraulic Hose	41	WFSAE075Z	Washer SAE
26	EA-337-243	Track Stop	42	NILN100CZ	Nut
27	EA-337-240	Ramp Clip	43	WFSAE100Z	Washer, SAE
28	EA-337-245	Track Stop, Bolt On	44	EA-322-431	Pin
29	EA-337-132	Sheave	45	EA-337-410	Latch Release Rod
30	EA-019-002	Collar	46	EA-337-412	Latch Rod Connector
31	EA-016-004	Spring LH			

SS-N MODEL SPECIFIC PARTS

ITEM	PART NUMBER	DESCRIPTION	ITEM	PART NUMBER	DESCRIPTION
10	EA-337-210	Track, Main Side	16	EA-021-002	Cylinder
11	EA-337-230	Track, Offside	17	EA-337-420	Latch Release Handle
12	EA-337-300	Leg, Power Unit	18	EA-019-016	Latch Release Rod, Long
13	EA-337-330	Leg, RH Side	19	EA-019-015	Latch Release Rod, Short
14	EA-337-320	Leg, LH Side	20	HY106-71	Hydraulic Hose
15	EA-336-110	Cross Rail	22,23 24,25		Lift Cables, (8'-6", 13'-1.5", 21'-4", 26'-.25") (Short to Long)

SS

ITEM	PART NUMBER	DESCRIPTION	ITEM	PART NUMBER	DESCRIPTION
10	EA-337-210	Track, Main Side	16	EA-021-002	Cylinder
11	EA-337-230	Track, Offside	17	EA-337-420	Latch Release Handle
12	EA-337-300	Leg, Power Unit	18	EA-019-061	Latch Release Rod, Long
13	EA-337-330	Leg, RH Side	19	EA-019-060	Latch Release Rod, Short
14	EA-337-320	Leg, LH Side	20	HY106-71	Hydraulic Hose
15	EA-338-110	Cross Rail	22,23 24,25		Lift Cables, (8'-9", 13'-4.5", 21'-7", 26'-3.25") (Short to Long)

XLT

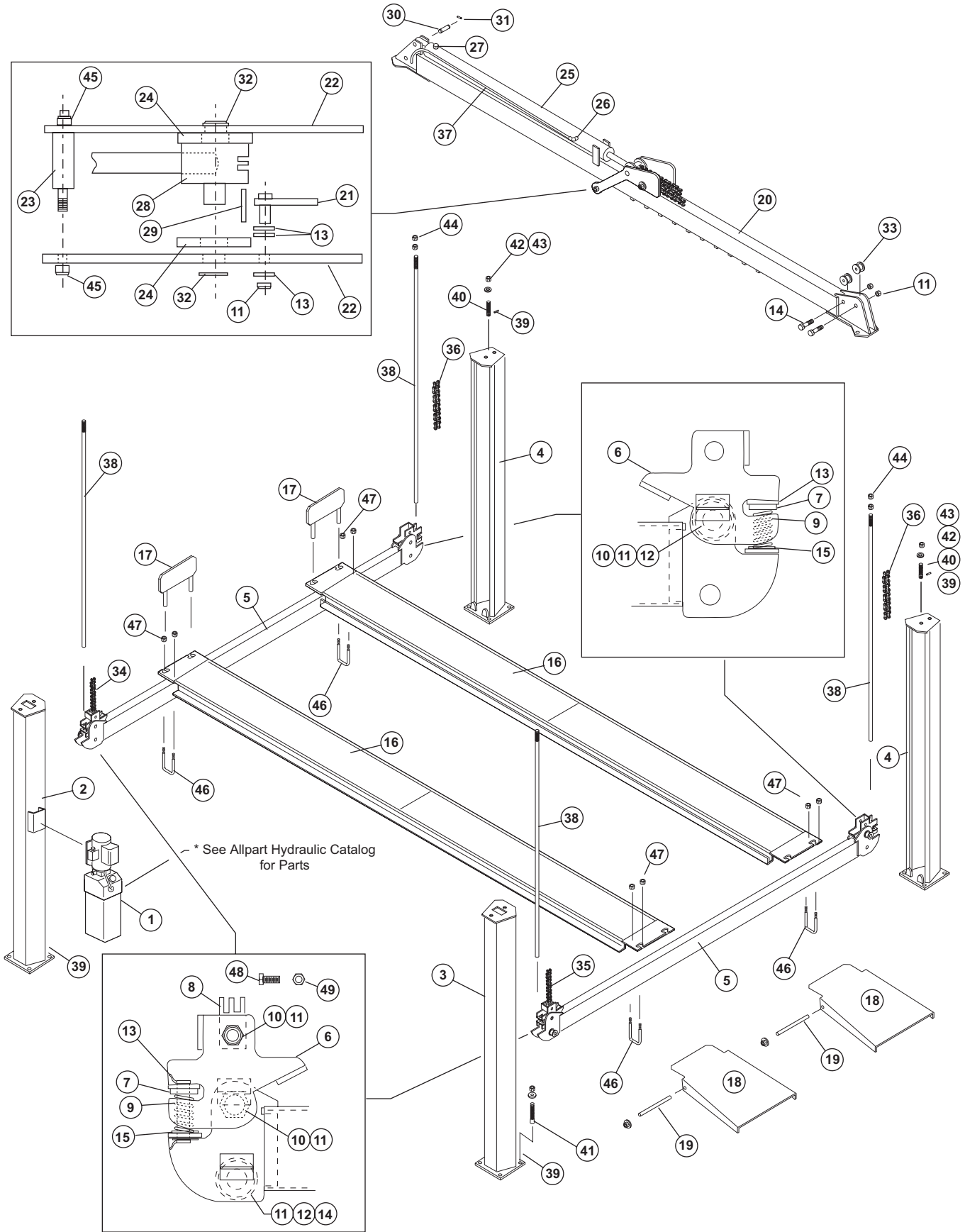
ITEM	PART NUMBER	DESCRIPTION	ITEM	PART NUMBER	DESCRIPTION
10	EA-338-210	Track, Main Side	16	EA-021-007	Cylinder
11	EA-338-230	Track, Offside	17	EA-338-420	Latch Release Handle
12	EA-338-300	Leg, Power Unit	18	EA-019-061	Latch Release Rod, Long
13	EA-338-330	Leg, RH Side	19	EA-019-060	Latch Release Rod, Short
14	EA-338-320	Leg, LH Side	20	HY106-82	Hydraulic Hose
15	EA-338-110	Cross Rail	22,23 24,25		Lift Cables, (9'-7", 14'-2.5", 24'-1", 28'-9.25") (Short to Long)

AMERICAN LIFTS / LIFT DISTRIBUTORS

12K FOUR POST LIFT

ILLUSTRATIONS ARE FOR REFERENCE ONLY AND MAY NOT BE EXACT REPRESENTATION

AMERICAN LIFTS / LIFT DISTRIBUTORS



ALLPART SUPPLY, INC.
1-800-381-1330 - Fax 817-284-2935

AMERICAN LIFTS / LIFT DISTRIBUTORS

12K FOUR POST LIFT

COMMON PARTS
to all 12K Lift Models

ITEM	PART NUMBER	DESCRIPTION	ITEM	PART NUMBER	DESCRIPTION
1	AB1270	Power Unit	26	2501-6-6	90 Deg. Hydraulic Fitting
2	EA-322-300	Main Side Leg (Power Unit)	27	HY-3/8VP	Breather Plug
3	EA-322-320	Main Side Leg	28	EA-322-430	Cylinder Chain Connector
4	EA-322-330	Off Side Leg	29	PD031X250	Cylinder Chain Connector Pin
6	EA-322-151	Safety Latch (Texas)	30	EA-322-431	Cylinder Pin
7	EA-322-155	Actuator Plate	31	PR00250X200	PIN, ROLL 1/4 X 2
8	EA-322-157	X-Rail Chain Connector	32	RRE137	Snap Ring (1.375")
9	FO-991073	Spring	33	LCBE-04.0HD	4" Chain Roller
10	HHG8075F0400	BOLT, 3/4 X 4"	37	HY106-112	Hyd Hose
11	NILN075FZ	NUT, NYLOCK JAM 3/4-16	38	FO-995210	Safety Rod
12	LCBE-02.5HD	2.5" Chain Roller	39	LCCL-BL634	BL634 Master Link
13	WFSAE075Z	3/4" SAE Washer	40	EA-322-914	Chain Stud (BL634)
14	HHG8075F0350	BOLT, 3/4 X 3-1/2"	41	WA075X0475Z	BOLT, 3/4 X 4.75" ANCHOR
15	WF075Z	3/4" USS Washer	42	NILN100FZ	NUT, NYLOCK 1"
21	EA-322-421	Latch Reset	43	WFSAE100Z	WASHER, 1" SAE
22	EA-322-423	Pair of Latch Plate (Dog Leg)	44	NH075CZ	Nut, 3/4-10
23	EA-322-424	Latch Pin	45	NILN075FZ	NUT, 3/4-16 NYLOCK
24	EA-070-002	Cylinder Guide Wheel	47	NILN050CZ	NUT, NYLOCK 1/2"
25	EA-021-003	3.5" x 72" Cylinder	48	SSB031X0150	5/16" Bolt Shoulder
			49	NILN025C	1/4" Nylock Nut

MODEL SPECIFIC PARTS (15'-6" with 14" Track, 12K lbs.)

12K

ITEM	PART NUMBER	DESCRIPTION	ITEM	PART NUMBER	DESCRIPTION
5	EA-322-100	Cross Rail	20	EA-322-400	Top Rail
16	AM-322-200	Track	34	LC-P30004	Lifting Chain Long
17	AM-322-217	Track Stop	35	LC-P30007	Lifting Chain Short
18	AM-322-250	Ramp	36	LCHA992612	X-Rail Chain
19	N/A	N/A	46	N/A	N/A

12KE

(17'-2" with 14" Track, 12K lbs.)

ITEM	PART NUMBER	DESCRIPTION	ITEM	PART NUMBER	DESCRIPTION
5	EA-322-100	Cross Rail	20	EA-323-400	Top Rail
16	AM-323-200	Track	34	LC-P30003	Lifting Chain Long
17	AM-322-217	Track Stop	35	LC-P30006	Lifting Chain Short
18	AM-322-250	Ramp	36	LCHA992612	X-Rail Chain
19	N/A	N/A	46	N/A	N/A

12KWT

(15'-6" with 22" Track, 12K lbs.)

ITEM	PART NUMBER	DESCRIPTION	ITEM	PART NUMBER	DESCRIPTION
5	EA-322-100	Cross Rail	20	EA-322-400	Top Rail
16	AM-324-200	Track	34	LC-P30004	Lifting Chain Long
17	AM-324-217	Track Stop	35	LC-P30007	Lifting Chain Short
18	AM-324-250	Ramp	36	LCHA992612	X-Rail Chain
19	AM-324-100	Ramp Pin	46	UB050X700X375X1	U-Bolt

AMERICAN LIFTS / LIFT DISTRIBUTORS

12K FOUR POST LIFT

12KEWT

MODEL SPECIFIC PARTS

(17'-2" with 22" Track, 12K lbs.)

ITEM	PART NUMBER	DESCRIPTION		ITEM	PART NUMBER	DESCRIPTION
5	EA-322-100	Cross Rail		20	EA-323-400	Top Rail
16	AM-325-200	Track		34	LC-P30003	Lifting Chain Long
17	AM-324-217	Track Stop		35	LC-P30006	Lifting Chain Short
18	AM-324-250	Ramp		36	LCHA992612	X-Rail Chain
19	EA-324-100	Ramp Pin		46	UB050X700X375X1	U-Bolt

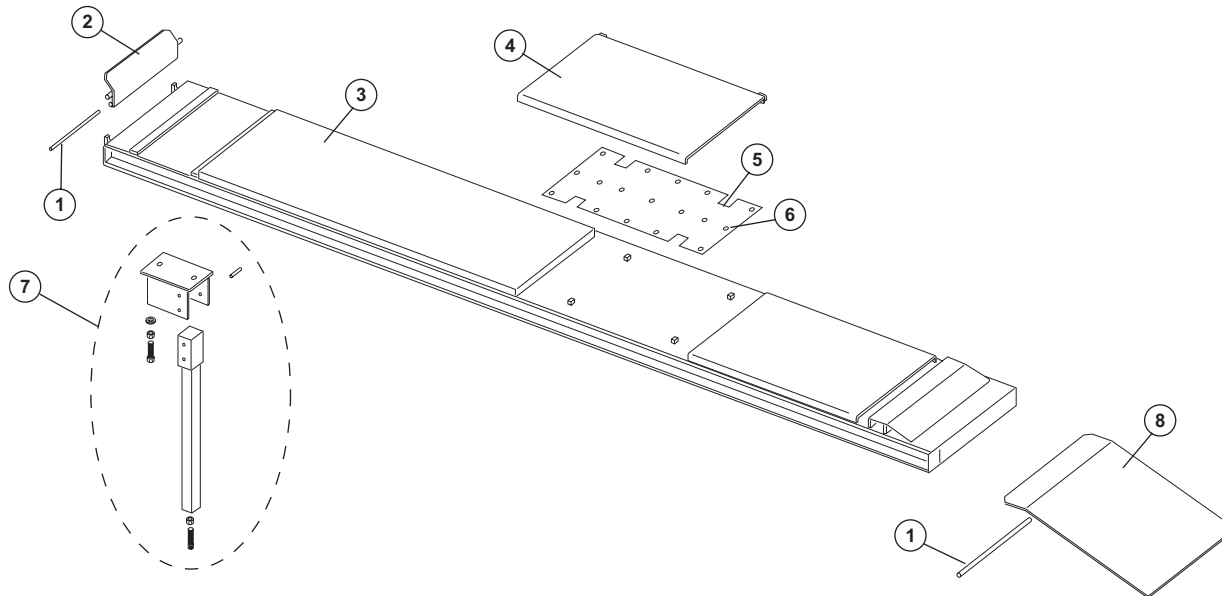
18K

(17'-2" with 22" Track, 18K lbs.)

ITEM	PART NUMBER	DESCRIPTION		ITEM	PART NUMBER	DESCRIPTION
5	AM-322-100	Cross Rail		22	AM-322-423	Pair of Latch Arms (Dog Legs) 18K
16	AM-325-300	Track		25	EA-021-010	4 x 72" Cylinder
17	AM-324-217	Track Stop		34	LC-P30003	Lifting Chain Long
18	AM-324-250	Ramp		35	LC-P30006	Lifting Chain Short
19	EA-324-100	Ramp Pin		36	LCHA992612	X-Rail Chain
20	AM-323-400	Top Rail		46	UB050X700X375X1	U-Bolt

12K ALIGNMENT TRACK

ILLUSTRATIONS ARE FOR REFERENCE ONLY AND MAY NOT BE EXACT REPRESENTATION

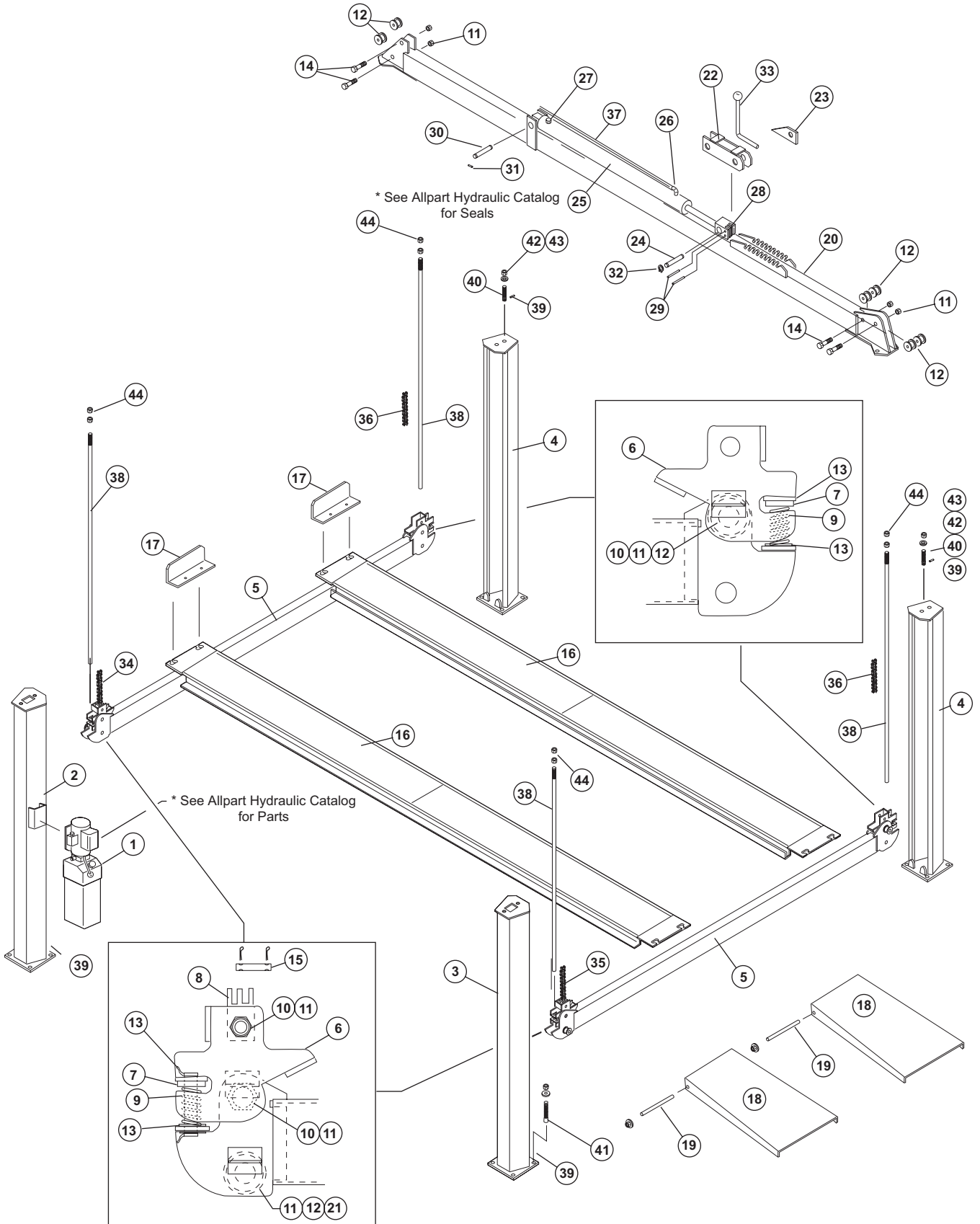


ITEM	PART NUMBER	DESCRIPTION		ITEM	PART NUMBER	DESCRIPTION
1	CH-651400707	Front Stop Pin		5	CH-657400727	Ball Locator Weldment
2	CH-651400666	Front Stop Weldment		6	FO-991115	1" Steel Balls
3	CH-651400675	RH Platform Weldment		7	CH-651400679	Leveling Leg Assy
3	CH-651400676	LH Platform Weldment		8	CH-324100	Ramp Assembly
4	CH-651400687	Slip Plate Weldment				

AMERICAN LIFT / LIFT DISTRIBUTORS

25K - 30K FOUR POST LIFT

ILLUSTRATIONS ARE FOR REFERENCE ONLY AND MAY NOT BE EXACT REPRESENTATION



AMERICAN LIFTS / LIFT DISTRIBUTORS

AMERICAN LIFT / LIFT DISTRIBUTORS

25K - 30K FOUR POST LIFT

COMMON PARTS
to all 25K - 30K Lift Models

ITEM	PART NUMBER	DESCRIPTION	ITEM	PART NUMBER	DESCRIPTION
1	AB1271A	Power Unit	24	AM-329-464	Pin, Latch
2	EA-329-300	Main Side Leg (Power Unit)	25	AM-021-004	Cylinder, 5" X 1.5"
3	EA-329-320	Main Side Leg	26	2501-6-6	90 Deg. Hydraulic Fitting
4	EA-329-330	Off Side Leg	27	HY-3/8VP	Breather Plug
5	EA-329-110	Cross Rail Weldment	28	AM-329-465	Cylinder Chain Connector, 1.5"
6	EA-329-121	Safety Latch (Texas)	29	EA-329-465P	Cylinder Chain Connector Pin
7	AM-329-127	Actuator Plate	30	EA-329-467	Cylinder Pin
8	EA-329-126	X-Rail Chain Connector	31	PR00250X200	PIN, ROLL 1/4 X 2
9	GE-991073	Spring	32	RRE137	Snap Ring (1.375")
10	HHG8075F0500	BOLT, 3/4 X 5"	33	EA-329-460	Weldment, Latch Release Handle
11	NILNJ075FZ	NUT, NYLOCK JAM 3/4-16	35	LC-P30008	Chain, Short
12	LCBE-04.0HD	4" Chain Roller	36	LC-P30005	Chain, Cross Rail
13	WFSAE112Z	1-1/8" SAE Washer	37	HY106-191	Hyd Hose, 191"
14	HHG8075F0650	BOLT, 3/4 X 6.5" GR8	38	AM-019-018	Safety Rod
15	EA-329-126P	5/16 Pin	39	LCCL-BL646	BL646 Master Link
17	AM-329-219	STOP, TRACK	40	EA-329-901	Chain Stud (BL646)
18	AM-324-250	Weldment, Ramp	41	WA075X0550Z	BOLT, 3/4 X 5-1/2" ANCHOR
19	N/A	N/A	42	NILN112FZ	NUT, NYLOCK 1-1/8"
21	HHG8075F400	Bolt, 3/4 x 4"	43	WFSAE112Z	WASHER, 1-1/8" SAE
22	EA-329-440	Weldment, Top Rail Safety Latch	44	NH112CZ	Nut, 1-1/8" Hex
23	EA-329-463	Reset Latch			

MODEL SPECIFIC PARTS

A25K , A30K

20'

ITEM	PART NUMBER	DESCRIPTION	ITEM	PART NUMBER	DESCRIPTION
16	EA-329-200	Weldment, Track	34	LC-P30002	Chain, Long
20	EA-329-410	Weldment, Top Rail			

A25K, A30K

26'

ITEM	PART NUMBER	DESCRIPTION	ITEM	PART NUMBER	DESCRIPTION
4A	EA-330-340	Weldment, 5TH Leg	20	EA-330-410	Weldment, Top Rail
16	EA-330-200	Weldment, Track	34	LC-P30010	Chain, Long

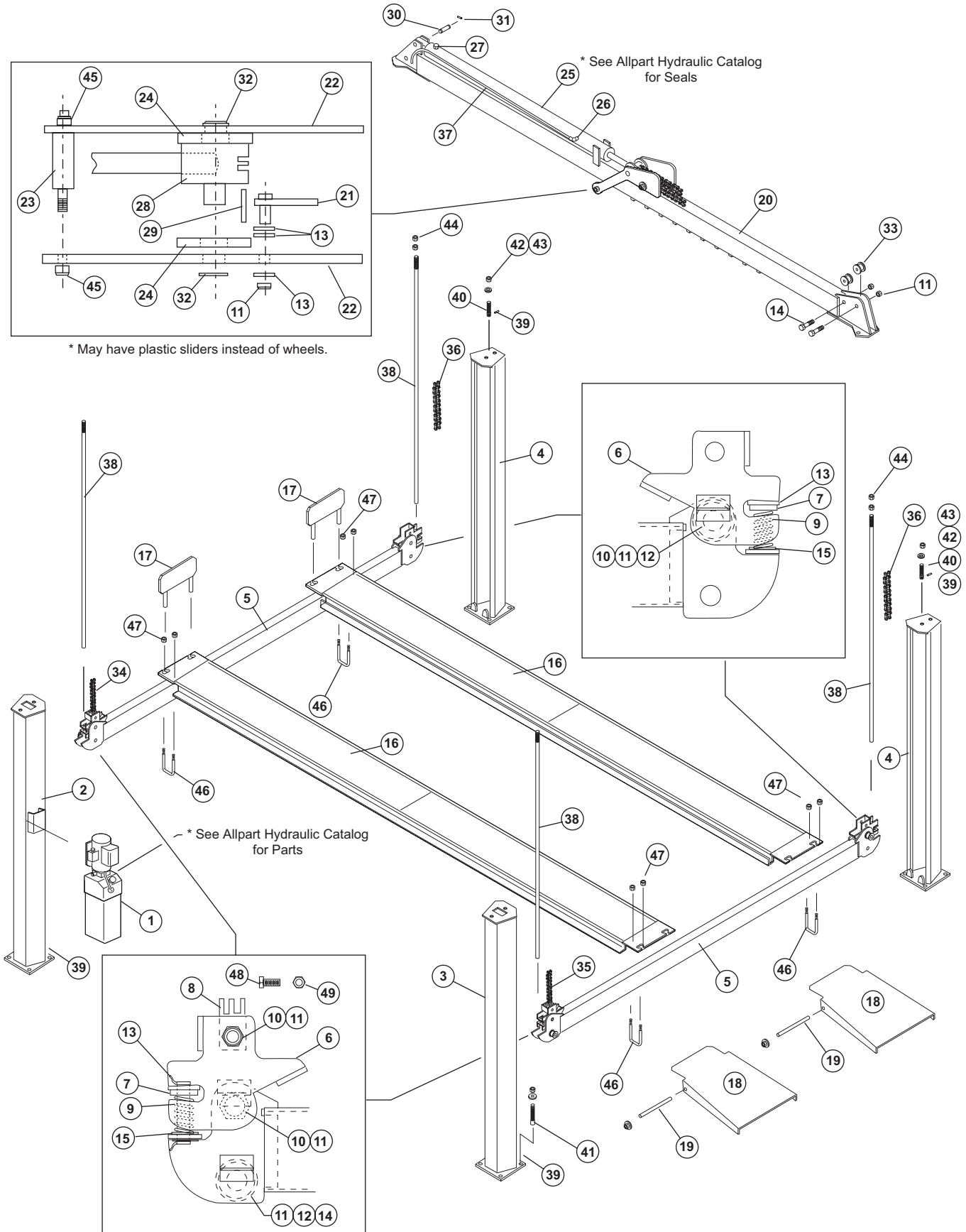
AMERICAN LIFTS / LIFT DISTRIBUTORS

CHALLENGER (made by HOLMAC) (made by American p4)

12K FOUR POST LIFT

ILLUSTRATIONS ARE FOR REFERENCE ONLY AND MAY NOT BE EXACT REPRESENTATION

CHALLENGER (HOLMAC)



ALLPART SUPPLY, INC.
1-800-381-1330 - Fax 817-284-2935

CHALLENGER (made by HOLMAC) (made by American p4)

12K FOUR POST LIFT

COMMON PARTS
to all 12K Lift Models

ITEM	PART NUMBER	DESCRIPTION	ITEM	PART NUMBER	DESCRIPTION
1	AB1270	Power Unit	26	2501-6-6	90 Deg. Hydraulic Fitting
2	EA-322-300	Main Side Leg (Power Unit)	27	HY-3/8VP	Breather Plug
3	EA-322-320	Main Side Leg	28	N/A	Welded to Cylinder
4	EA-322-330	Off Side Leg	29	CH-315-03-0008	Pin, Cyl Chain Connector
6	EA-322-151	Safety Latch (Texas)	30	EA-322-431	Cylinder Pin
7	EA-322-155	Actuator Plate	31	PR00250X200	PIN, ROLL 1/4 X 2
8	CH-443-02-0977	X-Rail Chain Connector	32	RRE137	Snap Ring (1.375")
9	FO-991073	Spring	33	CH-996723	4" Chain Roller
10	HHG8075F0400	BOLT, 3/4 X 4"	37	HY106-112	Hyd Hose
11	NILNU075FZ	NUT, NYLOCK JAM 3/4-16	38	FO-995210	Safety Rod
12	LCBE-02.5HD	2.5" Chain Roller	39	LCCL-BL634	BL634 Master Link
13	WFSAE075Z	3/4" SAE Washer	40	EA-322-914	Chain Stud (BL634)
14	HHG8075F0350	BOLT, 3/4 X 3-1/2"	41	WA075X0475Z	BOLT, 3/4 X 4.75" ANCHOR
15	WF075Z	3/4" USS Washer	42	NILN100FZ	NUT, NYLOCK 1"
21	EA-322-421	Latch Reset	43	WFSAE100Z	WASHER, 1" SAE
22	EA-322-423	Pair of Latch Plate (Dog Leg)	44	NH075CZ	Nut, 3/4-10 Nut
23	EA-322-424	Latch Pin	45	NILN075FZ	NUT, 3/4-16 NYLOCK
24	CH-443-02-1326	Plastic Slider	47	NILN050CZ	Nut, Nylock 1/2"
25	CH-021-003	3.5" x 72" Cylinder (Kit) 666	48	SSB031X0150	5/16" Bolt Shoulder
			49	NILN025C	1/4" Nylock Nut

Model 24012

MODEL SPECIFIC PARTS
(15'-6" with 14" Track, 12K lbs.)

ITEM	PART NUMBER	DESCRIPTION	ITEM	PART NUMBER	DESCRIPTION
5	EA-322-100	Cross Rail	34	CH-443-02-0982	Lifting Chain Long, BL666
16	CH-322-200	Track	34A	LC-P30004	Lifting Chain Long, BL646
17	CH-322-217	Track Stop	35	CH-443-02-0983	Lifting Chain Short, BL666
18	CH-322-250	Ramp	35A	LC-P30007	Lifting Chain Short, BL646
19	CH-322-256	Ramp Pin	36	LCHA992612	X-Rail Chain
20	EA-322-400	Top Rail	46	UB050X700X375X1	U Bolt

Model 24012W

(15'-6" with 22" Track, 12K lbs.)

ITEM	PART NUMBER	DESCRIPTION	ITEM	PART NUMBER	DESCRIPTION
5	EA-322-100	Cross Rail	34	CH-443-02-0982	Lifting Chain Long, BL666
16	CH-324-200	Track	34A	LC-P30004	Lifting Chain Long, BL646
17	CH-324-217	Track Stop	35	CH-443-02-0983	Lifting Chain Short, BL666
18	CH-324-250	Ramp	35A	LC-P30007	Lifting Chain Short, BL646
19	CH-324-100	Ramp Pin	36	LCHA992612	X-Rail Chain
20	EA-322-400	Top Rail	46	UB050X700X375X1	U Bolt

Model 24012EW

(17'-2" with 22" Track, 12K lbs.)

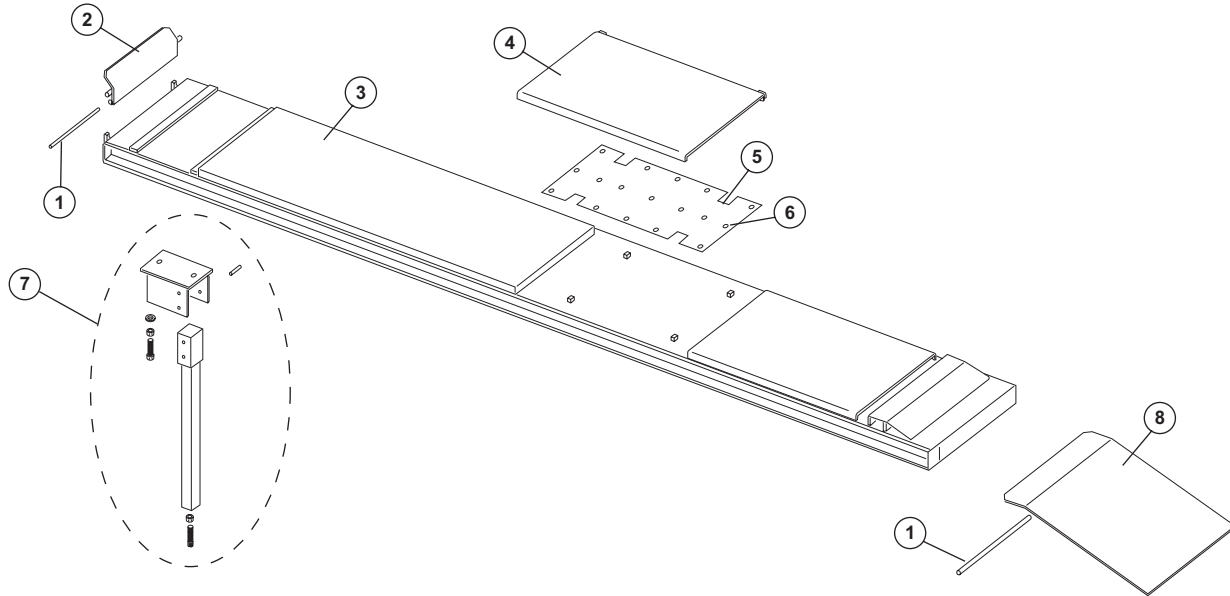
ITEM	PART NUMBER	DESCRIPTION	ITEM	PART NUMBER	DESCRIPTION
5	EA-322-100	Cross Rail	34	CH-443-02-0984	Lifting Chain Long, BL666
16	CH-325-200	Track	34A	LC-P30003	Lifting Chain Long, BL646
17	CH-324-217	Track Stop	35	CH-443-02-0985	Lifting Chain Short, BL666
18	CH-324-250	Ramp	35A	LC-P30006	Lifting Chain Short, BL646
19	CH-324-100	Ramp Pin	36	LCHA992612	X-Rail Chain
20	EA-323-400	Top Rail	46	UB050X700X375X1	U Bolt

ALLPART SUPPLY, INC.
1-800-381-1330 - Fax 817-284-2935

CHALLENGER (HOLMAC)

CHALLENGER (made by Holmac) 12K ALIGNMENT TRACK

ILLUSTRATIONS ARE FOR REFERENCE ONLY AND MAY NOT BE EXACT REPRESENTATION



CHALLENGER (HOLMAC)

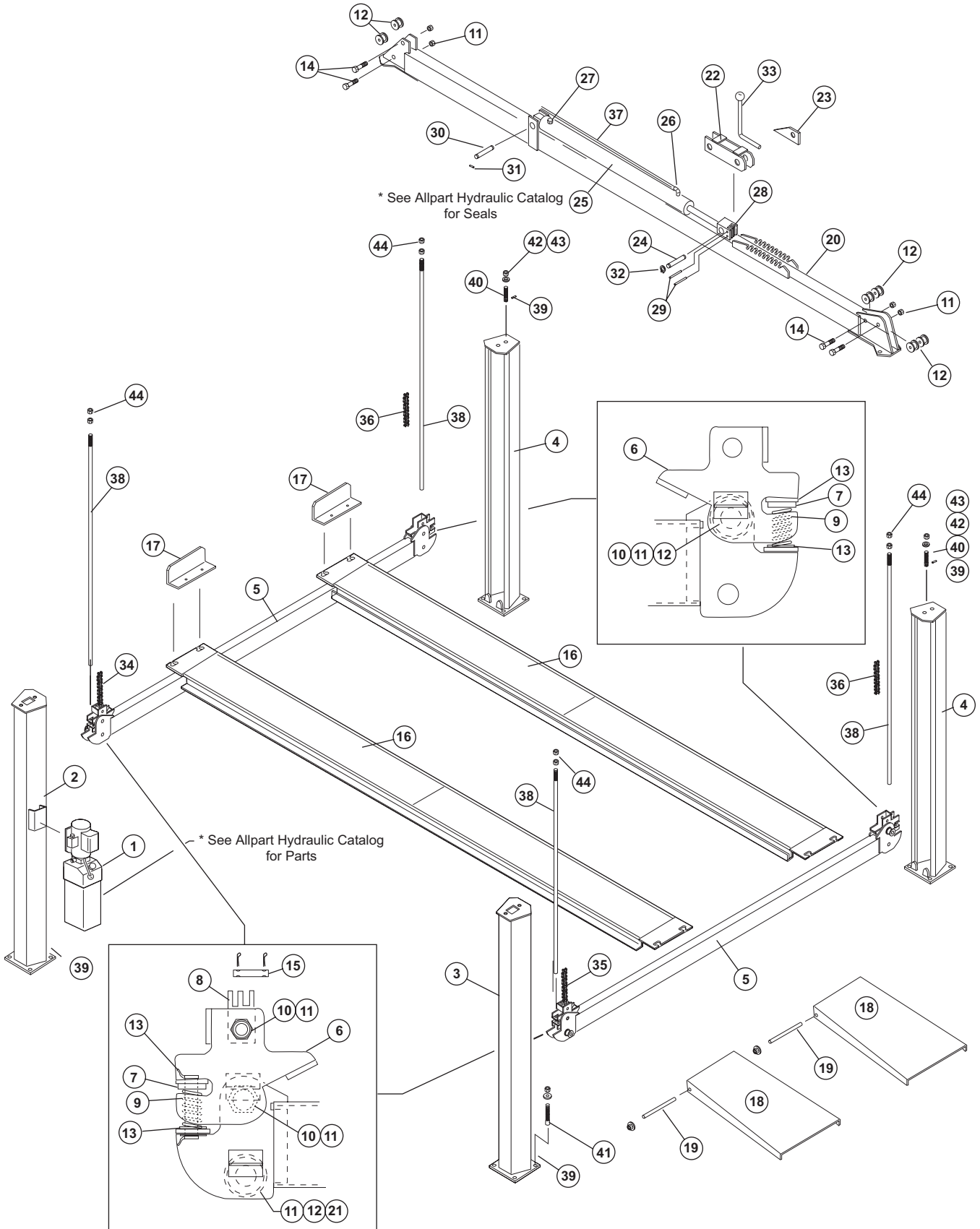
ITEM	PART NUMBER	DESCRIPTION	ITEM	PART NUMBER	DESCRIPTION
1	CH-651400707	Front Stop Pin	5	CH-657400727	Ball Locator Weldment
2	CH-651400666	Front Stop Weldment	6	FO-991115	1" Steel Balls
3	CH-651400675	RH Platform Weldment	7	CH-651400679	Leveling Leg Assy
3	CH-651400676	LH Platform Weldment	8	CH-324100	Ramp Assembly
4	CH-651400687	Slip Plate Weldment			

CHALLENGER LIFT (made by American)

25K-30K FOUR POST LIFT

ILLUSTRATIONS ARE FOR REFERENCE ONLY AND MAY NOT BE EXACT REPRESENTATION

CHALLENGER LIFT



ALLPART SUPPLY, INC.
1-800-381-1330 - Fax 817-284-2935

CHALLENGER LIFT (made by American)

25K - 30K FOUR POST LIFT

COMMON PARTS
to all 25K - 30K Lift Models

ITEM	PART NUMBER	DESCRIPTION	ITEM	PART NUMBER	DESCRIPTION
1	AB1271A	Power Unit	24	AM-329-464	Pin, Latch
2	EA-329-300	Main Side Leg (Power Unit)	25	AM-021-004	Cylinder, 5" X 1.5"
3	EA-329-320	Main Side Leg	26	2501-6-6	90 Deg. Hydraulic Fitting
4	EA-329-330	Off Side Leg	27	HY-3/8VP	Breather Plug
5	EA-329-110	Cross Rail Weldment	28	AM-329-465	Cylinder Chain Connector, 1.5"
6	EA-329-121	Safety Latch (Texas)	29	EA-329-465P	Cylinder Chain Connector Pin
7	AM-329-127	Actuator Plate	30	EA-329-467	Cylinder Pin
8	EA-329-126	X-Rail Chain Connector	31	PR00250X200	PIN, ROLL 1/4 X 2
9	GE-991073	Spring	32	RRE137	Snap Ring (1.375")
10	HHG8075F0500	BOLT, 3/4 X 5"	33	EA-329-460	Weldment, Latch Release Handle
11	NILNJ075FZ	NUT, NYLOCK JAM 3/4-16	35	LC-P30008	Chain, Short
12	LCBE-04.0HD	4" Chain Roller	36	LC-P30005	Chain, Cross Rail
13	WFSAE112Z	1-1/8" SAE Washer	37	HY106-191	Hyd Hose, 191"
14	HHG8075F0650	BOLT, 3/4 X 6.5" GR8	38	AM-019-018	Safety Rod
15	EA-329-126P	5/16 Pin	39	LCCL-BL646	BL646 Master Link
17	AM-329-219	STOP, TRACK	40	EA-329-901	Chain Stud (BL646)
18	AM-324-250	Weldment, Ramp	41	WA075X0550Z	BOLT, 3/4 X 5-1/2" ANCHOR
19	N/A	N/A	42	NILN112FZ	NUT, NYLOCK 1-1/8"
21	HHG8075F400	Bolt, 3/4 x 4"	43	WFSAE112Z	WASHER, 1-1/8" SAE
22	EA-329-440	Weldment, Top Rail Safety Latch	44	NH112CZ	Nut, 1-1/8" Hex
23	EA-329-463	Reset Latch			

CHALLENGER LIFT

MODEL SPECIFIC PARTS

24025 , 24030

20'

ITEM	PART NUMBER	DESCRIPTION	ITEM	PART NUMBER	DESCRIPTION
16	EA-329-200	Weldment, Track	34	LC-P30002	Chain, Long
20	EA-329-410	Weldment, Top Rail			

24025 , 24030

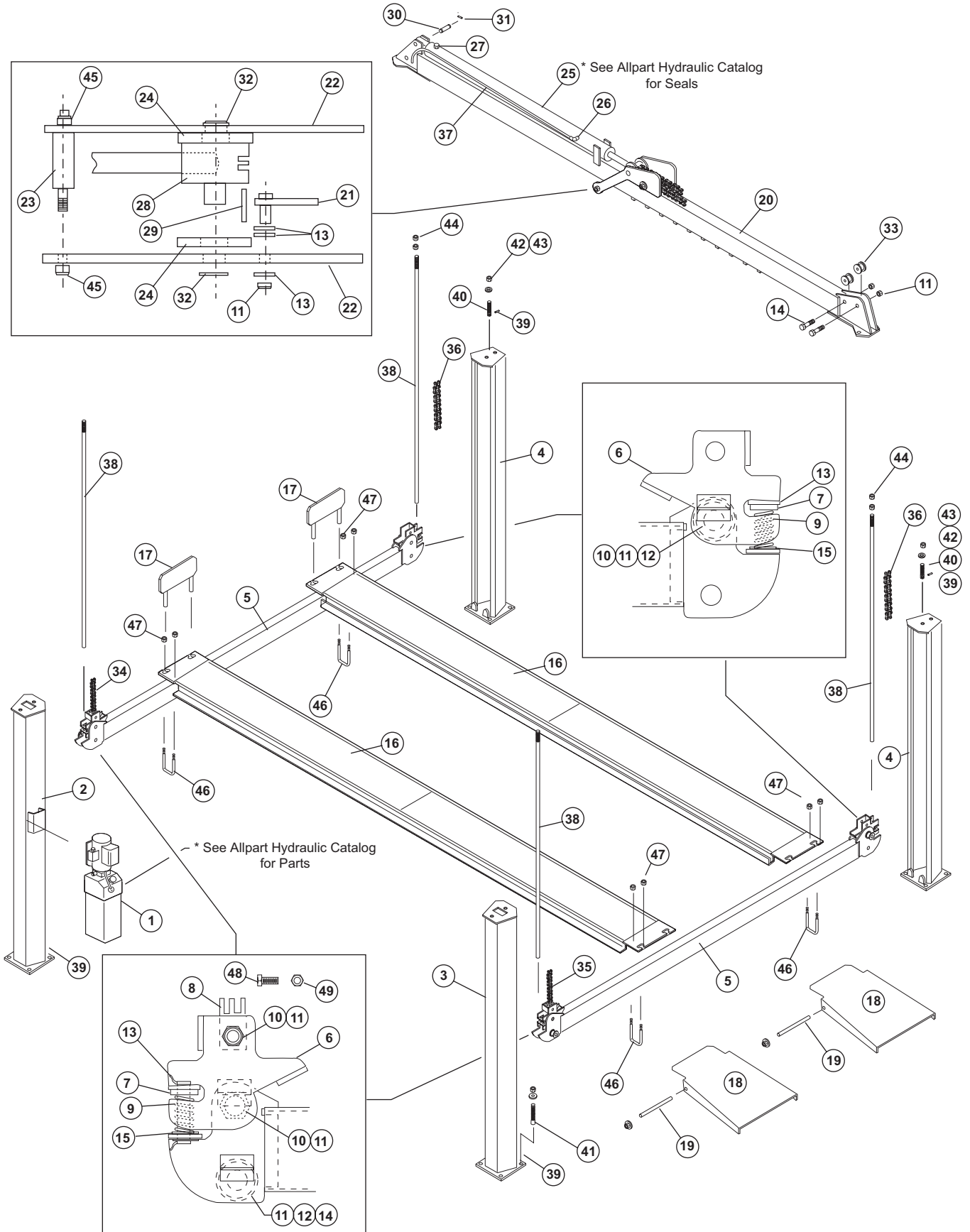
26'

ITEM	PART NUMBER	DESCRIPTION	ITEM	PART NUMBER	DESCRIPTION
4A	EA-330-340	Weldment, 5TH Leg	20	EA-330-410	Weldment, Top Rail
16	EA-330-200	Weldment, Track	34	LC-P30010	Chain, Long

EAGLE LIFT MFG 12K-15K FOUR POST LIFT

ILLUSTRATIONS ARE FOR REFERENCE ONLY AND MAY NOT BE EXACT REPRESENTATION

EAGLE LIFT MFG



ALLPART SUPPLY, INC.
1-800-381-1330 - Fax 817-284-2935

EAGLE LIFT MFG

12K-15K FOUR POST LIFT

COMMON PARTS
to all 12K-15K Lift Models

ITEM	PART NUMBER	DESCRIPTION	ITEM	PART NUMBER	DESCRIPTION
1	AB1270	Power Unit	26	2501-6-6	90 Deg. Hydraulic Fitting
2	EA-322-300	Main Side Leg (Power Unit)	27	HY-3/8VP	Breather Plug
3	EA-322-320	Main Side Leg	28	EA-322-430	Cylinder Chain Connector
4	EA-322-330	Off Side Leg	29	PD031X250	Cylinder Chain Connector Pin
6	EA-322-151	Safety Latch (Texas)	30	EA-322-431	Cylinder Pin
7	EA-322-155	Actuator Plate	31	PD00250X200	PIN, ROLL 1/4 X 2
8	EA-322-157	X-Rail Chain Connector	32	RRE137	Snap Ring (1.375")
9	FO-991073	Spring	33	LCBE-04.0HD	4" Chain Roller
10	HHG8075F0400	BOLT, 3/4 X 4"	37	HY106-112	Hyd Hose
11	NILNJ075FZ	NUT, NYLOCK JAM 3/4-16	38	FO-995210	Safety Rod
12	LCBE-02.5HD	2.5" Chain Roller	39	LCCL-BL634	BL634 Master Link
13	WFSAE075Z	3/4" SAE Washer	40	EA-322-914	Chain Stud (BL634)
14	HHG8075F0350	BOLT, 3/4 X 3-1/2"	41	WA075X0475Z	BOLT, 3/4 X 4.75" ANCHOR
15	WF075Z	3/4" USS Washer	42	NILN100FZ	NUT, NYLOCK 1"
21	EA-322-421	Latch Reset	43	WFSAE100Z	WASHER, 1" SAE
22	EA-322-423	Pair of Latch Plate (Dog Leg)	44	NH075CZ	Nut, 3/4-10 Nut
23	EA-322-424	Latch Pin	45	NILN075FZ	NUT, 3/4-16 NYLOCK
24	EA-070-002	Cylinder Guide Wheel 5-1/2"	47	NILN050CZ	Nut, Nylock 1/2"
24A	EA-070-002A	Cylinder Guide Wheel 4-7/8"	48	SSB031X050	5/16" Bolt Shoulder
25	EA-021-003	3.5" x 72" Cylinder	49	NILN025C	1/4" Nylock Nut

EAGLE LIFT MFG

MODEL SPECIFIC PARTS

(15'-6" with 14" Track, 12K lbs.)

FP-12

ITEM	PART NUMBER	DESCRIPTION	ITEM	PART NUMBER	DESCRIPTION
5	EA-321-100	Cross Rail	20	EA-322-400	Top Rail
16	EA-322-200	Track	34	LC-P30004	Lifting Chain Long
17	EA-322-217	Track Stop	35	LC-P30007	Lifting Chain Short
18	EA-322-250	Ramp	36	LC-P30012	X-Rail Chain
19	EA-322-256	Ramp Pin	46	N/A	

MODEL SPECIFIC PARTS

(15'-6" with 14" Track, 15K lbs.)

FP-15S-14

ITEM	PART NUMBER	DESCRIPTION	ITEM	PART NUMBER	DESCRIPTION
5	EA-322-100	Cross Rail	20	EA-322-400	Top Rail
16	EA-322-200	Track	34	LC-P30004	Lifting Chain Long
17	EA-322-217	Track Stop	35	LC-P30007	Lifting Chain Short
18	EA-322-250	Ramp	36	LCHA992612	X-Rail Chain
19	EA-322-256	Ramp Pin	46	N/A	

MODEL SPECIFIC PARTS

(17'-2" with 14" Track, 15K lbs.)

FP-15L-14

ITEM	PART NUMBER	DESCRIPTION	ITEM	PART NUMBER	DESCRIPTION
5	EA-322-100	Cross Rail	20	EA-323-400	Top Rail
16	EA-323-200	Track	34	LC-P30003	Lifting Chain Long
17	EA-322-217	Track Stop	35	LC-P30006	Lifting Chain Short
18	EA-322-250	Ramp	36	LCHA992612	X-Rail Chain
19	EA-322-256	Ramp Pin	46	N/A	

EAGLE LIFT MFG
12K-15K FOUR POST LIFT
MODEL SPECIFIC PARTS
FP-15S-22 (15'-6" with 22" Track, 15K lbs.)

ITEM	PART NUMBER	DESCRIPTION	ITEM	PART NUMBER	DESCRIPTION
5	EA-322-100	Cross Rail	20	EA-322-400	Top Rail
16	EA-324-210	Track	34	LC-P30004	Lifting Chain Long
17	EA-324-213	Track Stop	35	LC-P30007	Lifting Chain Short
18	EA-324-250	Ramp	36	LCHA992612	X-Rail Chain
19	EA-324-256	Ramp Pin	46	UB050X700X375X1	U Bolt

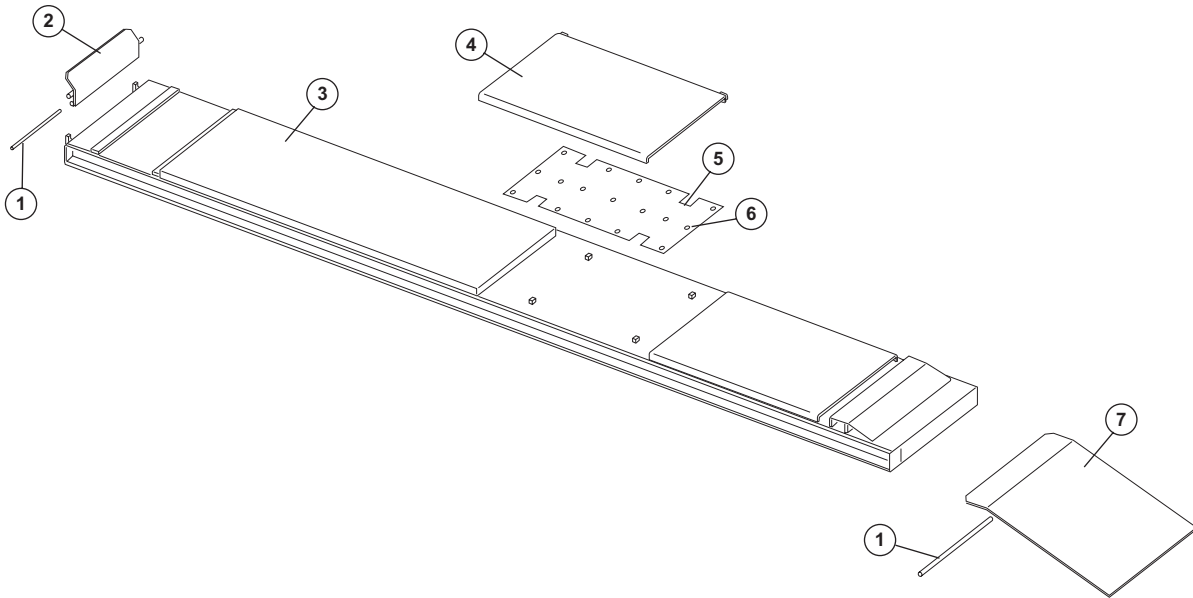
FP-15L-22 (17'-2" with 22" Track, 15K lbs.)

ITEM	PART NUMBER	DESCRIPTION	ITEM	PART NUMBER	DESCRIPTION
5	EA-322-100	Cross Rail	20	EA-323-400	Top Rail
16	EA-325-210	Track	34	LC-P30003	Lifting Chain Long
17	EA-324-213	Track Stop	35	LC-P30006	Lifting Chain Short
18	EA-322-250	Ramp	36	LCHA992612	X-Rail Chain
19	EA-322-256	Ramp Pin	46	UB050X700X375X1	U Bolt

EAGLE LIFT MFG

12K ALIGNMENT TRACK

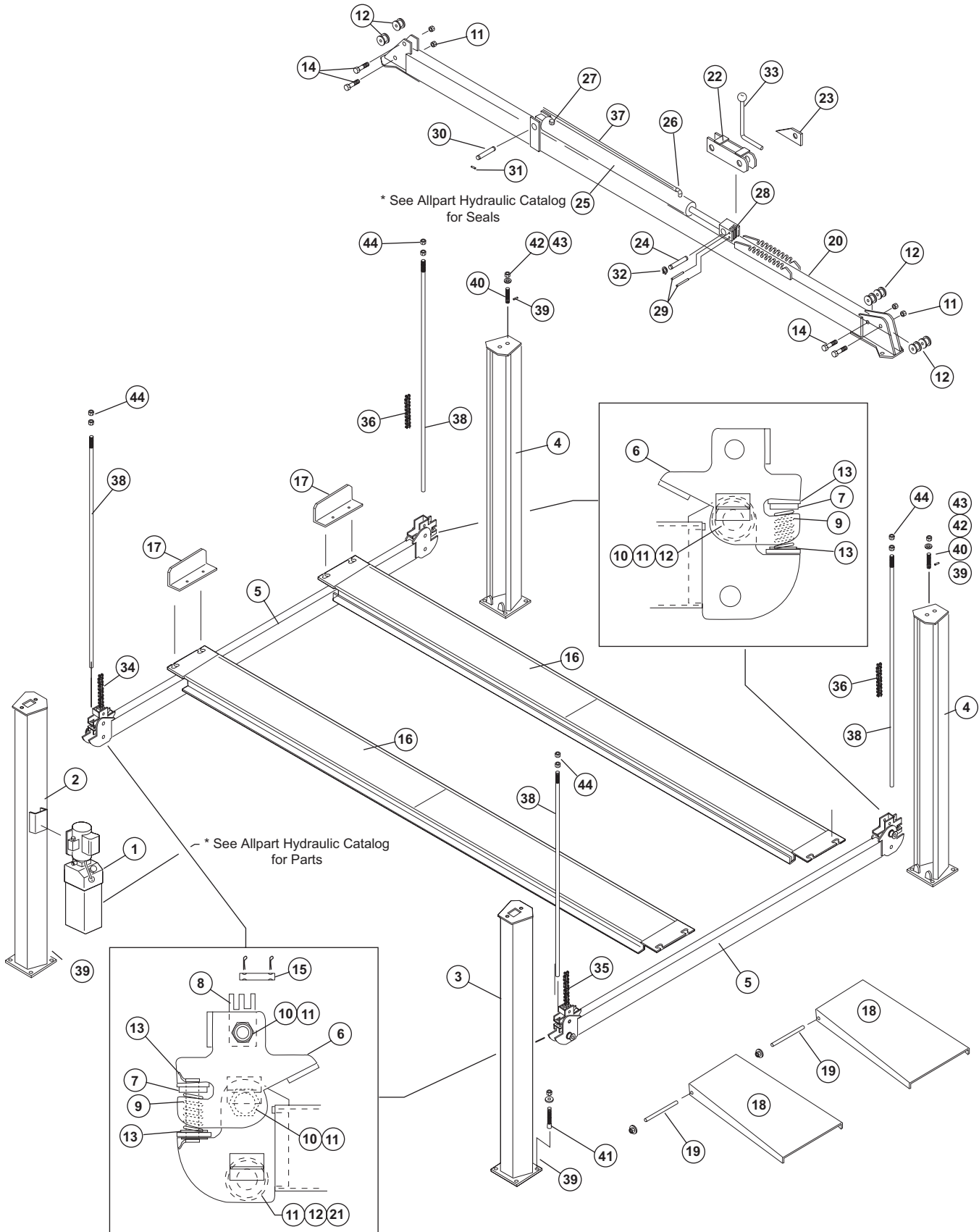
ILLUSTRATIONS ARE FOR REFERENCE ONLY AND MAY NOT BE EXACT REPRESENTATION



ITEM	PART NUMBER	DESCRIPTION	ITEM	PART NUMBER	DESCRIPTION
1	EA-334-231	Front Stop Pin	4	EA-334-214	Slip Plate Weldment
2	EA-334-232	Front Stop Weldment	5	EA-334-215	Ball Locator Weldment
3	EA-334-200	RH Platform Weldment	6	FO-991115	1" Steel Balls
3	EA-334-201	LH Platform Weldment	7	EA3-34-250	Ramp Assembly

EAGLE LIFT MFG 27K FOUR POST LIFT

ILLUSTRATIONS ARE FOR REFERENCE ONLY AND MAY NOT BE EXACT REPRESENTATION



EAGLE LIFT MFG

ALLPART SUPPLY, INC.
1-800-381-1330 - Fax 817-284-2935

EAGLE LIFT MFG
27K FOUR POST LIFT
COMMON PARTS
to all 27K Lift Models

ITEM	PART NUMBER	DESCRIPTION	ITEM	PART NUMBER	DESCRIPTION
1	AB1271A	Power Unit	25	EA-021-004	Cylinder, 5.5" x 1-3/4"
2	EA-329-300	Main Side Leg (Power Unit)	25A	FO-992304	Cylinder, 5" x 1.5"
3	EA-329-320	Main Side Leg	26	2501-6-6	90 Deg. Hydraulic Fitting
4	EA-329-330	Off Side Leg	27	HY-3/8VP	Breather Plug
5	EA-329-110	Cross Rail Weldment	28	EA-329-465	Cylinder Chain Connector
6	EA-329-121	Safety Latch (Texas)	28A	AM-329-465	Cyl. Chain Conn. 1.5"
7	EA-329-127	Actuator Plate	29	EA-329-465P	Cyl. Chain Conn. Pin
8	EA-329-126	X-Rail Chain Connector	30	EA-329-467	Cylinder Pin
9	GE-991073	Spring	31	PR00250X200	PIN, ROLL 1/4 X 2
10	HHG8075F0500	BOLT, 3/4 X 5"	32	RRE137	Snap Ring (1.375")
11	NILNJ075FZ	NUT, NYLOCK JAM 3/4-16	33	EA-329-460	Weldment, Latch Release Handle
12	LCBE-04.0HD	4" Chain Roller	35	LC-P30008	Chain, Short
13	WFSAE100Z	1" SAE Washer	36	LC-P30005	Chain, Cross Rail
14	HHG8075F0650	BOLT, 3/4 X 6.5" GR8	37	HY106-191	Hyd Hose, 191"
15	EA-329-126P	5/16" Pin	38	EA-019-018	Safety Rod
17	EA-329-219	STOP, TRACK	39	LCCL-BL646	BL646 Master Link
18	EA-324-250	Weldment, Ramp	40	EA-329-901	Chain Stud (BL646)
19	N/A	N/A	41	WA075X0550Z	BOLT, 3/4 X 5-1/2" ANCHOR
21	HHG8075F400	Bolt, 3/4 x 4"	42	NILN112FZ	NUT, NYLOCK 1-1/8"
22	EA-329-440	Weldment, Top Rail Safety Latch	43	WFSAE112Z	WASHER, 1-1/8" SAE
23	EA-329-463	Reset Latch	44	NH100CZ	Nut, 1-14 Hex
24	AM-329-464	Pin, Latch			

EAGLE LIFT MFG

MODEL SPECIFIC PARTS
FP-27-24 X 21' 6"

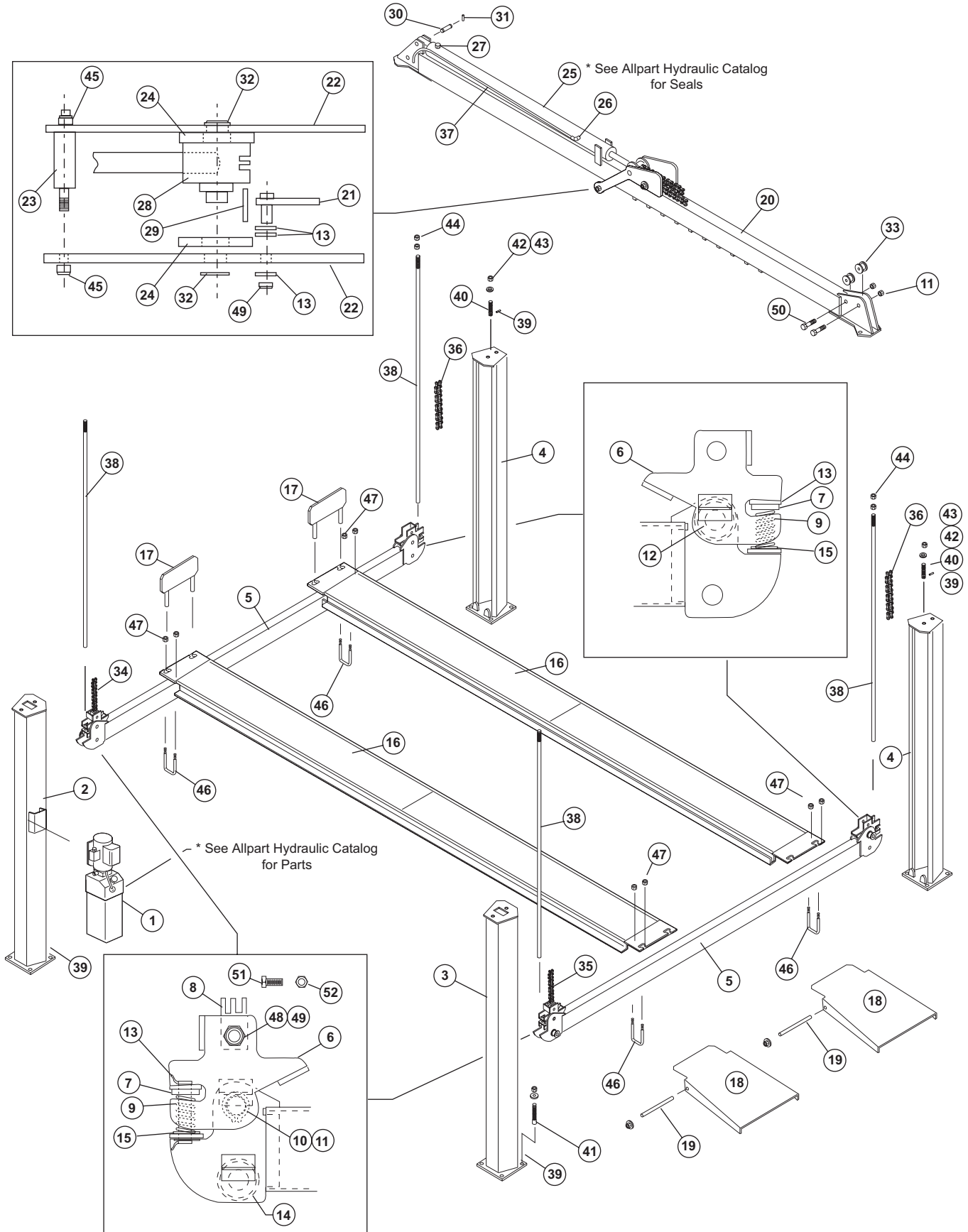
ITEM	PART NUMBER	DESCRIPTION	ITEM	PART NUMBER	DESCRIPTION
16	EA-329-200	Weldment, Track	34	LC-P30002	Chain, Long
20	EA-329-410	Weldment, Top Rail			

FP-27-24 X 26' 6"

ITEM	PART NUMBER	DESCRIPTION	ITEM	PART NUMBER	DESCRIPTION
4A	EA-330-340	Weldment, 5TH Leg	20	EA-330-410	Weldment, Top Rail
16	EA-330-200	Weldment, Track	34	LC-P30010	Chain, Long

FORWARD MFG 12K FOUR POST LIFT

ILLUSTRATIONS ARE FOR REFERENCE ONLY AND MAY NOT BE EXACT REPRESENTATION



FORWARD MFG

FORWARD MFG 12K FOUR POST LIFT

COMMON PARTS
to all 12K Lift Models

ITEM	PART NUMBER	DESCRIPTION		ITEM	PART NUMBER	DESCRIPTION
1	AB1270	Power Unit		28	FO-995190	Cylinder Chain Connector
2	EA-322-300	Main Side Leg (Power Unit)		29	PD031X250	Cylinder Chain Connector Pin
3	EA-322-320	Main Side Leg		30	EA-322-431	Cylinder Pin
4	EA-322-330	Off Side Leg		31	PR00250X200	PIN, ROLL 1/4 X 2
6	FO-120402	Safety Latch (Texas)		32	RRE137	Snap Ring (1.375")
7	EA-322-155	Actuator Plate		33	FO-996723	4" Chain Roller 1.25" I.D.
8	EA-322-157	X-Rail Chain Connector		37	HY106-112	Hyd Hose
9	FO-991073	Spring		38	FO-995210	Safety Rod
10	FO-120403	Pin,		39	LCCL-BL634	BL634 Master Link
11	RRE125	SNAP RING		40	EA-322-914	Chain Stud (BL634)
12	FO-102K08	Bearing Kit, 2.25" Off Side		41	WA075X0475Z	BOLT, 3/4 X 4.75" ANCHOR
13	WFSAE075Z	3/4" Washer, SAE		42	NILN100FZ	NUT, NYLOCK 1"
14	FO-102K07	Bearing Kit, 2.25" Main Side		43	WFSAE100Z	WASHER, 1" SAE
15	WF075Z	3/4" USS Washer		44	NH075CZ	Nut, 3/4-10 Nut
21	EA-322-421	Latch Reset		45	NILN075FZ	NUT, 3/4-16 NYLOCK
22	EA-322-423	Pair of Latch Plate (Dog Leg)		47	NILN050CZ	Nut, Nylock 1/2"
23	EA-322-424	Latch Pin		48	HHG8075FO400	3/4" X 4" Bolt
24	FO-995230	Cylinder Guide Wheel		49	NILNJ075FZ	Nylock Jam Nut
25	EA-021-003	3.5" x 72" Cylinder		50	FO-051804	Pin
26	2501-6-6	90 Deg. Hydraulic Fitting		51	SSB031X0150	5/16" Bolt Shoulder
27	HY-3/8VP	Breather Plug		52	NILN025C	1/4" Nylock Nut

SA

MODEL SPECIFIC PARTS (12K 172" Narrow Track)

ITEM	PART NUMBER	DESCRIPTION		ITEM	PART NUMBER	DESCRIPTION
5	FO-120401	X- Rail, (1.25 Pin Holes)		20	FO-120301	Top Rail
16	FO-120531	14" Track		34	LCHA992604	Lifting Chain Long
17	FO-120530	14" Track Stop		35	LCHA992603	Lifting Chain Short
18	FO-120502	14" Ramp		36	LCHA992612	X-Rail Chain
19	N/A	N/A		46	UB050X700X375X1	U Bolt

LA

(12K 172" Std Track)

ITEM	PART NUMBER	DESCRIPTION		ITEM	PART NUMBER	DESCRIPTION
5	FO-120401	X- Rail, (1.25 Pin Holes)		20	FO-120301	Top Rail
16	FO-020002	22" Track		34	LCHA992604	Lifting Chain Long
17	FO-045130	22" Track Stop		35	LCHA992603	Lifting Chain Short
18	FO-045400	22" Ramp		36	LCHA992612	X-Rail Chain
19	N/A	N/A		46	UB050X700X375X1	U Bolt

SF

(12K 192" Narrow Track)

ITEM	PART NUMBER	DESCRIPTION		ITEM	PART NUMBER	DESCRIPTION
5	FO-120401	X- Rail, (1.25 Pin Holes)		20	FO-120302	Top Rail
16	FO-120533	14" Track		34	LCHA992611	Lifting Chain Long
17	FO-120530	14" Track Stop		35	LCHA992610	Lifting Chain Short
18	FO-120502	14" Ramp		36	LCHA992612	X-Rail Chain
19	N/A	N/A		46	UB050X700X375X1	U Bolt

ALLPART SUPPLY, INC.
1-800-381-1330 - Fax 817-284-2935

FORWARD MFG

FORWARD MFG 12K FOUR POST LIFT

LF

MODEL SPECIFIC PARTS (12K 192" Std Track)

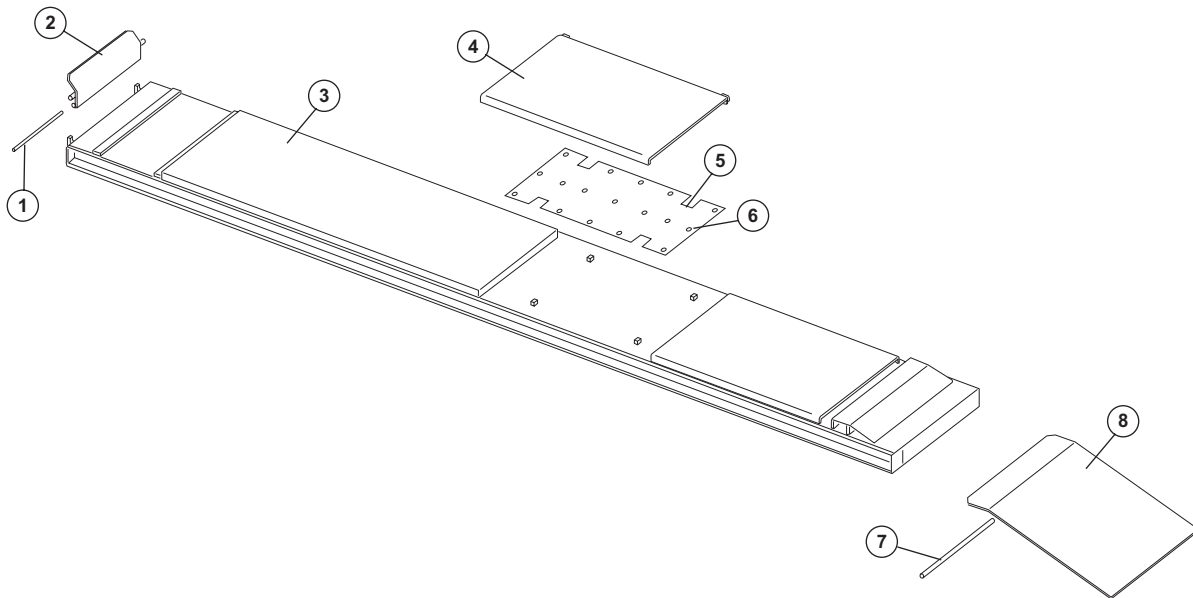
ITEM	PART NUMBER	DESCRIPTION	ITEM	PART NUMBER	DESCRIPTION
5	FO-120401	X- Rail, (1.25 Pin Holes)	20	FO-120302	Top Rail
16	FO-020001	Track	34	LCHA992611	Lifting Chain Long
17	FO-045130	Track Stop	35	LCHA992610	Lifting Chain Short
18	FO-045400	Ramp	36	LCHA992612	X-Rail Chain
19	FO-996200	Ramp Pin	46	UB050X700X375X1	U Bolt

LUBE

ITEM	PART NUMBER	DESCRIPTION	ITEM	PART NUMBER	DESCRIPTION
5	FO-120401	Cross Rail	20	FO-121301	Top Rail
16	N/A	Track	34	LCHA992611	Lifting Chain Long
17	N/A	Track Stop	35	LCHA992610	Lifting Chain Short
18	N/A	Ramp	36	LCHA992612	X-Rail Chain
19	N/A	N/A	46	UB050X700X375X1	U Bolt

12K ALIGNMENT TRACK

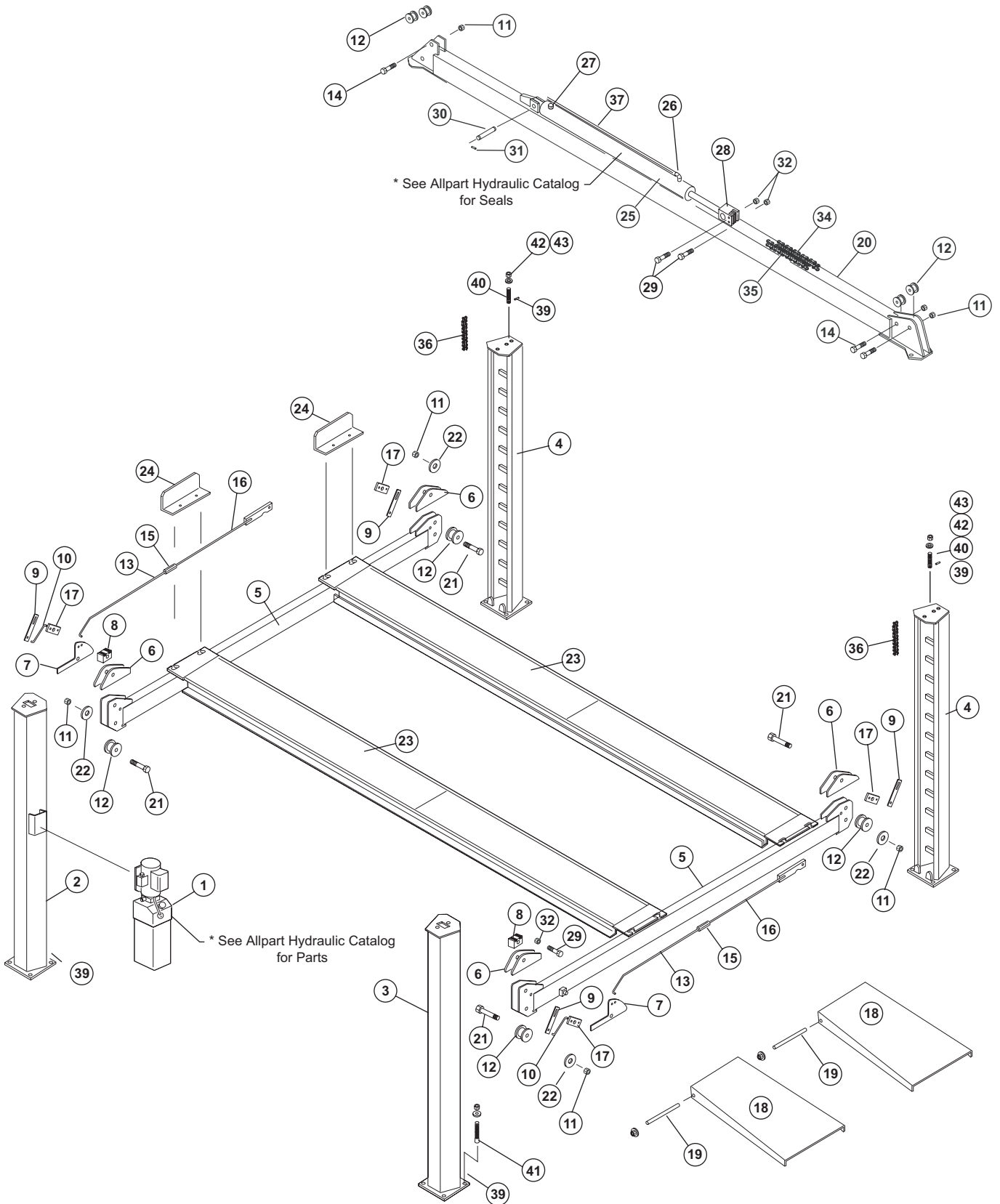
ILLUSTRATIONS ARE FOR REFERENCE ONLY AND MAY NOT BE EXACT REPRESENTATION



ITEM	PART NUMBER	DESCRIPTION	ITEM	PART NUMBER	DESCRIPTION
1	FO-913682	Front Stop Pin	5	FO-045631	Ball Locator Weldment, 6" (New)
2	FO-045130	Front Stop Weldment	5	FO-010631	Ball Locator Weldment, 3" (Old)
3	FO-01410102	Platform Weldment, 192"	6	FO-991115	1" Steel Balls
3	FO-01010102	Platform Weldment, 172"	7	FO-996200	Ramp Mount Pin
4	FO-045501	Slip Plate Weldment	8	FO-045400	Ramp Assembly

FORWARD MFG 27K FOUR POST LIFT

ILLUSTRATIONS ARE FOR REFERENCE ONLY AND MAY NOT BE EXACT REPRESENTATION



FORWARD MFG

ALLPART SUPPLY, INC.
1-800-381-1330 - Fax 817-284-2935

FORWARD MFG
27K FOUR POST LIFT
COMMON PARTS
to all 27K Lift Models

ITEM	PART NUMBER	DESCRIPTION	ITEM	PART NUMBER	DESCRIPTION
1	AB1271A	Power Unit	21	HHG8075FO5500	Shoulder Bolt
2	FO-250102	Leg, Power Unit	21A	FO-51806	Pin 1.25" OD
3	FO-250101	Leg, Mainside	22	WFSAE075Z	SAE Washer
4	FO-250201	Leg, Offside	24	FO-250530	Wheel Stop
5	FO-250406	Cross Rail For 3/4" ID Bearings	25	FO-992304	Cylinder
5A	FO-250401	Cross Rail For 1-1/4" ID Bearings	26	2501-6-6	Elbow Fitting
6	FO-250402	Safety Latch	27	HY-3/8VP	Breather Plug
7	FO-250431	Hand Lever	28	FO-995370	Cylinder Chain Connector
8	FO-995360	Cross Rail Chain Connector	29	HHG8038FO500	Bolt
9	FO-995420	Slot Link	30	EA-329-467	Cylinder Pin
10	FO-250434	Short Rod	31	PR00250X200	Roll Pin
11	NILNJ075FZ	NUT, NYLOCK JAM 3/4-16	32	NILN037CZ	3/8" Nyloc Nut
11A	RRE125	Snap Ring	33	N/A	N/A
12	LCBE-04.0HD	Chain Roller 3/4" ID	35	LCHA992606	Lifting Chain, Short
12A	FO-996723	Chain Roler 1.25" ID	36	LCHA992605	Cross Rail Chain
13	FO-250462	Long Rod	37	HY106-191	Hydraulic Hose
14	HHG8075F0600	Bolt, Shoulder	38	N/A	N/A
14A	FO-51805	Pin 1.25" OD	39	LCCL-BL834	BL834 Master Link
15	FO-250438	Rod Coupling	40	MPM0003	Stud, Chain Anchor
16	FO-250403	Long Rod Weldment	41	WA075X0550Z	Anchor Bolt
17	FO-250440	Pivot Link	42	NILN112FZ	Nut, Nylock
18	FO-250502	Ramps	43	WFSAE112Z	SAE Washer
19	N/A	N/A			

FORWARD MFG

MODEL SPECIFIC PARTS

27000TL

21' 6"

ITEM	PART NUMBER	DESCRIPTION	ITEM	PART NUMBER	DESCRIPTION
20	FO-250301	Top Rail for 3/4" ID Bearing	23	FO-250501	Track
20A	FO-250311	Top Rail for 1.25" ID Bearing	34	LCHA992607	Lifting Chain, Long

2700RVL

26' 6"

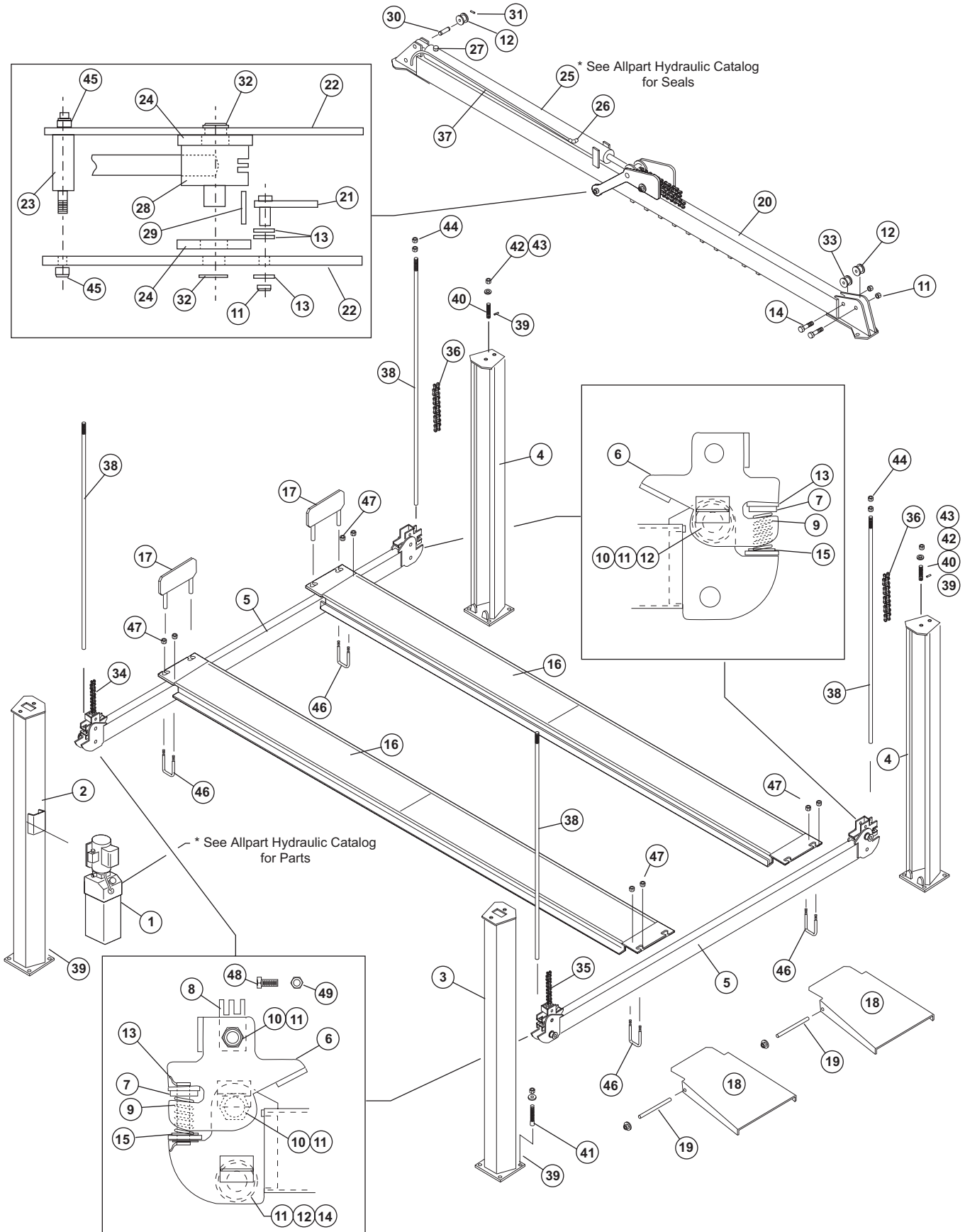
ITEM	PART NUMBER	DESCRIPTION	ITEM	PART NUMBER	DESCRIPTION
20	FO-250302	Top Rail for 3/4" ID Bearing	23	FO-130501	Track
20A	FO-250312	Top Rail for 1.25" ID Bearing	34	LCHA992642	Lifting Chain, Long

GEMINI

12K-15K FOUR POST LIFT

ILLUSTRATIONS ARE FOR REFERENCE ONLY AND MAY NOT BE EXACT REPRESENTATION

GEMINI



ALLPART SUPPLY, INC.
1-800-381-1330 - Fax 817-284-2935

GEMINI

12K-15K FOUR POST LIFT

COMMON PARTS
to all 12K-15K Lift Models

ITEM	PART NUMBER	DESCRIPTION	ITEM	PART NUMBER	DESCRIPTION
1	AB1270	Power Unit	26	2501-6-6	90 Deg. Hydraulic Fitting
4	EA-322-330	Off Side Leg	27	HY-3/8VP	Breather Plug
6	EA-322-151	Safety Latch (Texas)	28	EA-322-430	Cylinder Chain Connector
7	EA-322-155	Actuator Plate	29	PD031X250	Cylinder Chain Connector Pin
8	EA-322-157	X-Rail Chain Connector	30	EA-322-431	Cylinder Pin
9	FO-991073	Spring	31	PR00250X200	PIN, ROLL 1/4 X 2
10	HHG8075F0400	BOLT, 3/4 X 4"	32	RRE137	Snap Ring (1.375")
11	NILNJ075FZ	NUT, NYLOCK JAM 3/4-16	33	LCBE-04.0HD	4" Chain Roller
12	LCBE-02.5HD	2.5" Chain Roller	37	HY106-112	Hyd Hose
13	WFSAE075Z	3/4" SAE Washer	38	FO-995210	Safety Rod
14	HHG8075F0350	BOLT, 3/4 X 3-1/2"	41	WA075X0475Z	BOLT, 3/4 X 4.75" ANCHOR
15	WF075Z	3/4" USS Washer	42	NILN100FZ	NUT, NYLOCK 1"
19	N/A		43	WFSAE100Z	WASHER, 1" SAE
21	EA-322-421	Latch Reset	44	NH075CZ	Nut, 3/4-10 Nut
22	EA-322-423	Pair of Latch Plate (Dog Leg)	45	NILN075FZ	NUT, 3/4-16 NYLOCK
23	EA-322-424	Latch Pin	47	N/A	N/A
24	EA-070-002	Cylinder Guide Wheel	48	SSB031X0150	5/16" Bolt Shoulder
25	EA-021-003	3.5" x 72" Cylinder	49	NILN025C	1/4" Nylock Nut

MODEL SPECIFIC PARTS

GR12

(172" with 18" Track)

ITEM	PART NUMBER	DESCRIPTION	ITEM	PART NUMBER	DESCRIPTION
2	EA-322-300	Main Side Leg, 12K (Power Unit)	20	EA-322-400	Top Rail
3	EA-322-320	Main Side Leg, 12K	34	LCHA992604	Lifting Chain Long
5	EA-322-100	Cross Rail	35	LCHA992605	Lifting Chain Short
16	GE-322-200	Track	36	LCHA992612	X-Rail Chain
17	GE-322-217	Track Stop	39	LCCL-BL634	BL634 Master Link
18	GE-322-250	Ramp	40	EA-322-914	Chain Stud 634
			46	UB050X700X375X1	U Bolt

GR12W

(172" with 22" Track)

ITEM	PART NUMBER	DESCRIPTION	ITEM	PART NUMBER	DESCRIPTION
2	EA-322-300	Main Side Leg, 12K (Power Unit)	20	EA-322-400	Top Rail
3	EA-322-320	Main Side Leg, 12K	34	LCHA992604	Lifting Chain Long
5	EA-322-100	Cross Rail	35	LCHA992605	Lifting Chain Short
16	GE-322-210	Track	36	LCHA992612	X-Rail Chain
17	GE-322-222	Track Stop	39	LCCL-BL634	BL634 Master Link
18	GE-322-251	Ramp	40	EA-322-914	Chain Stud 634
			46	UB050X700X375X1	U Bolt

GEMINI

12K-15K FOUR POST LIFT

MODEL SPECIFIC PARTS

GR12L

(192" with 18" Track)

ITEM	PART NUMBER	DESCRIPTION	ITEM	PART NUMBER	DESCRIPTION
2	EA-322-300	Main Side Leg, 12K (Power Unit)	20	EA-323-400	Top Rail
3	EA-322-320	Main Side Leg, 12K	34	LCHA992611	Lifting Chain Long
5	EA-322-100	Cross Rail	35	LCHA992610	Lifting Chain Short
16	GE-323-200	Track	36	LCHA992612	X-Rail Chain
17	GE-322-217	Track Stop	39	LCCL-BL634	BL634 Master Link
18	GE-322-250	Ramp	40	EA-322-914	Chain Stud 634

GR12LW

(192" with 22" Track)

ITEM	PART NUMBER	DESCRIPTION	ITEM	PART NUMBER	DESCRIPTION
2	EA-322-300	Main Side Leg, 12K (Power Unit)	20	EA-323-400	Top Rail
3	EA-322-320	Main Side Leg, 12K	34	LCHA992611	Lifting Chain Long
5	EA-322-100	Cross Rail	35	LCHA992610	Lifting Chain Short
16	GE-323-210	Track	36	LCHA992612	X-Rail Chain
17	GE-322-222	Track Stop	39	LCCL-BL634	BL634 Master Link
18	GE-322-251	Ramp	40	EA-322-914	Chain Stud 634

GR15L

(192" with 18" Track)

ITEM	PART NUMBER	DESCRIPTION	ITEM	PART NUMBER	DESCRIPTION
2	GE-323-300	Main Side Leg, 15K (Power Unit)	20	EA-323-400	Top Rail
3	GE-323-320	Main Side Leg, 15K	34	LCHA992611	Lifting Chain Long
5	GE-323-100	Cross Rail	35	LCHA992610	Lifting Chain Short
16	GE-323-200	Track	36	LC-P30005	X-Rail Chain
17	GE-322-217	Track Stop	39	LCCL-BL646	BL646 Master Link
18	GE-322-250	Ramp	40	EA-329-901	Chain Stud 646

GR15LW

(192" with 22" Track)

ITEM	PART NUMBER	DESCRIPTION	ITEM	PART NUMBER	DESCRIPTION
2	GE-323-300	Main Side Leg, 15K (Power Unit)	20	EA-323-400	Top Rail
3	GE-323-320	Main Side Leg, 15K	34	LCHA992611	Lifting Chain Long
5	GE-323-100	Cross Rail	35	LCHA992610	Lifting Chain Short
16	GE-323-210	Track	36	LC-P30005	X-Rail Chain
17	GE-322-222	Track Stop	39	LCCL-BL646	BL646 Master Link
18	GE-322-251	Ramp	40	EA-329-901	Chain Stud 646

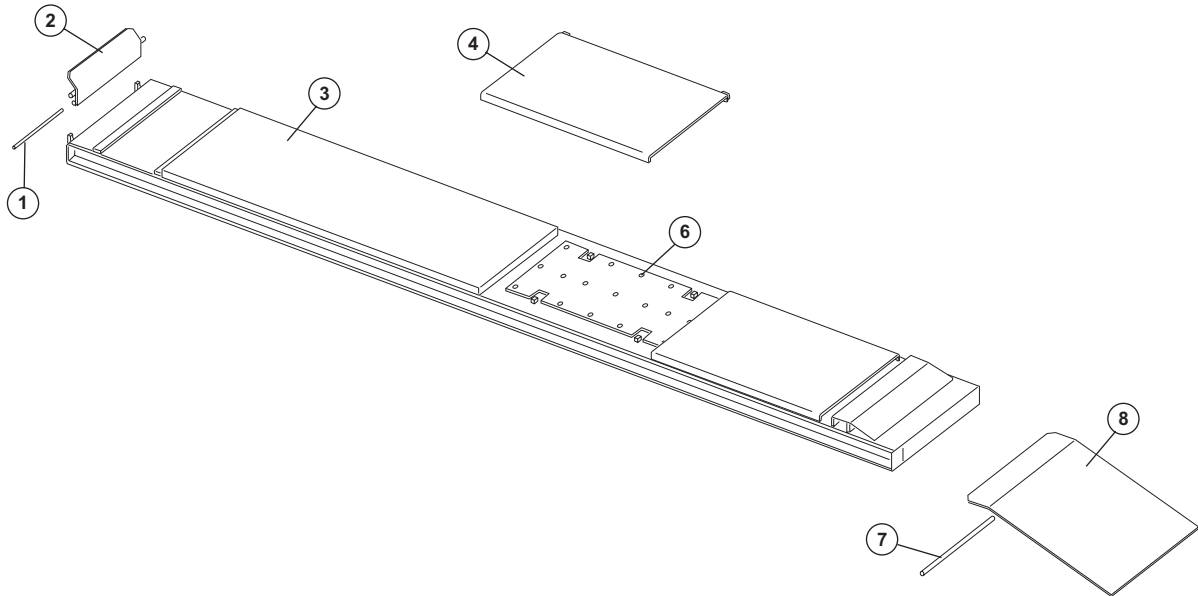
GEMINI

GEMINI

12K FOUR POST LIFT

12K ALIGNMENT TRACK

ILLUSTRATIONS ARE FOR REFERENCE ONLY AND MAY NOT BE EXACT REPRESENTATION



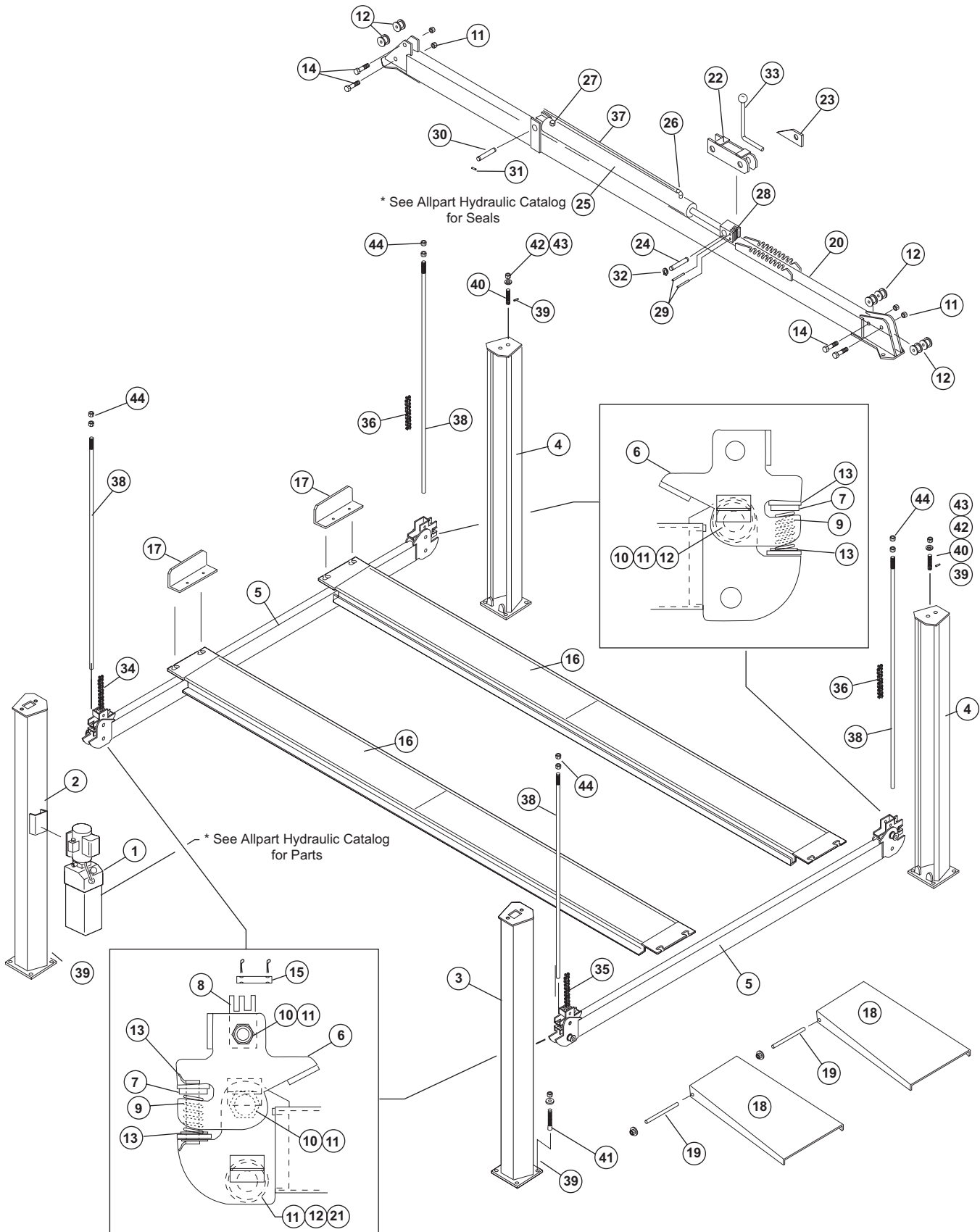
ITEM	PART NUMBER	DESCRIPTION	ITEM	PART NUMBER	DESCRIPTION
1	GE-334-231	Front Stop Pin	4	GE-334-214	Slip Plate Weldment
2	GE-334-232	Front Stop Weldment	6	FO-991115	1-1/8" Steel Balls
3	GE-334-200	RH Platform Weldment	7	GE-334-257	Ramp Mount Pin
3	GE-334-201	LH Platform Weldment	8	GE-334-250	Ramp Assembly

GEMINI

GEMINI

25K-30K FOUR POST LIFT

ILLUSTRATIONS ARE FOR REFERENCE ONLY AND MAY NOT BE EXACT REPRESENTATION



GEMINI

GEMINI
25K-30K FOUR POST LIFT
COMMON PARTS
to all 25K-30K Lift Models

ITEM	PART NUMBER	DESCRIPTION	ITEM	PART NUMBER	DESCRIPTION
1	AB1271A	Power Unit	25	EA-021-004	Cylinder, 5.5" x 1-3/4"
2	EA-329-300	Main Side Leg (Power Unit)	25A	FO-992304	Cylinder, 5" x 1.5"
3	EA-329-320	Main Side Leg	26	2501-6-6	90 Deg. Hydraulic Fitting
4	EA-329-330	Off Side Leg	27	HY-3/8VP	Breather Plug
5	EA-329-110	Cross Rail Weldment	28	EA-329-465	Cylinder Chain Connector
6	EA-329-121	Safety Latch (Texas)	28A	AM-329-465	Cyl. Chain Conn. 1.5"
7	EA-329-127	Actuator Plate	29	EA-329-465P	Cyl. Chain Conn.
8	EA-329-126	X-Rail Chain Connector	30	EA-329-467	Cylinder Pin
9	GE-991073	Spring	31	PR00250X200	PIN, ROLL 1/4 X 2
10	HHG8075F0500	BOLT, 3/4 X 5"	32	RRE137	Snap Ring (1.375")
11	NILNJ075FZ	NUT, NYLOCK JAM 3/4-16	33	EA-329-460	Weldment, Latch Release Handle
12	LCBE-04.0HD	4" Chain Roller	35	LC-P30008	Chain, Short
13	WFSAE100Z	1" SAE Washer	36	LC-P30005	Chain, Cross Rail
14	HHG8075F0650	BOLT, 3/4 X 6.5" GR8	37	HY106-191	Hyd Hose, 191"
15	EA-329-126P	5/16" Pin	38	EA-019-018	Safety Rod
17	EA-329-219	STOP, TRACK	39	LCCL-BL646	BL646 Master Link
18	EA-324-250	Weldment, Ramp	40	EA-329-901	Chain Stud (BL646)
19	N/A	N/A	41	WA075X0550Z	BOLT, 3/4 X 5-1/2" ANCHOR
21	HHG8075F400	Bolt, 3/4 x 4"	42	NILN112FZ	NUT, NYLOCK 1-1/8"
22	EA-329-440	Weldment, Top Rail Safety Latch	43	WFSAE112Z	WASHER, 1-1/8" SAE
23	EA-329-463	Reset Latch	44	NH100CZ	Nut, 1-14 Hex
24	AM-329-464	Pin, Latch			

MODEL SPECIFIC PARTS

GR25, GR30

20'

ITEM	PART NUMBER	DESCRIPTION	ITEM	PART NUMBER	DESCRIPTION
16	EA-329-200	Weldment, Track	34	LC-P30002	Chain, Long
20	EA-329-410	Weldment, Top Rail			

GR25, GR30

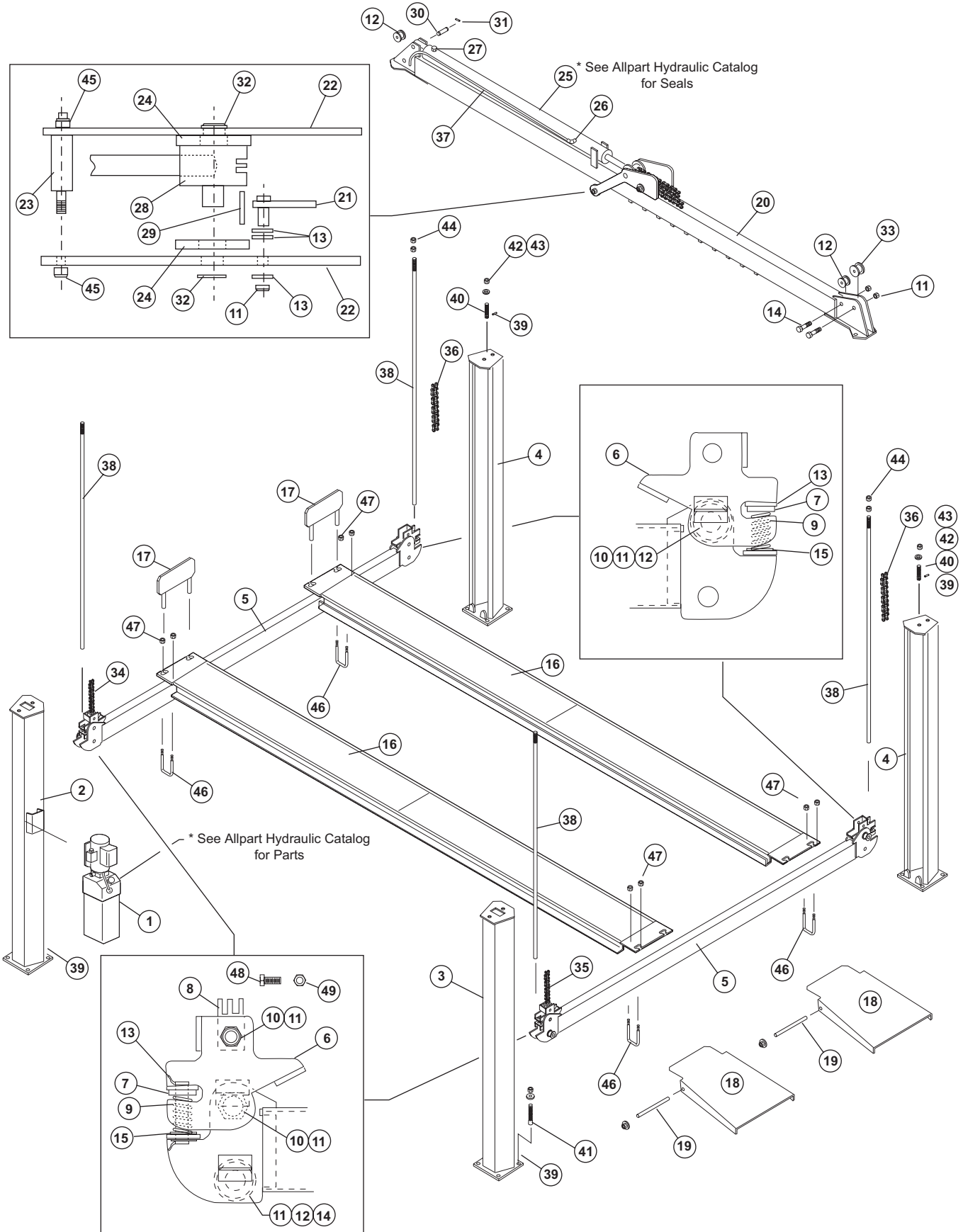
26'

ITEM	PART NUMBER	DESCRIPTION	ITEM	PART NUMBER	DESCRIPTION
4A	EA-330-340	Weldment, 5TH Leg	20	EA-330-410	Weldment, Top Rail
16	EA-330-200	Weldment, Track	34	LC-P30010	Chain, Long

GRAND / NEW GRAND 12K FOUR POST LIFT

ILLUSTRATIONS ARE FOR REFERENCE ONLY AND MAY NOT BE EXACT REPRESENTATION

GRAND / NEW GRAND



ALLPART SUPPLY, INC.
1-800-381-1330 - Fax 817-284-2935

GRAND / NEW GRAND 12K FOUR POST LIFT

COMMON PARTS to all 12K Lift Models

ITEM	PART NUMBER	DESCRIPTION	ITEM	PART NUMBER	DESCRIPTION
1	AB1270	Power Unit	26	2501-6-6	90 Deg. Hydraulic Fitting
2	EA-322-300	Main Side Leg (Power Unit)	27	HY-3/8VP	Breather Plug
3	EA-322-320	Main Side Leg	28	EA-322-430	Cyl. Chain Connector (Retro Fit)
4	EA-322-330	Off Side Leg	29	PD031X250	Cyl. Chain Conn. Pin (Retro Fit)
6	EA-322-151	Safety Latch (Texas)	30	EA-322-431	Cylinder Pin
7	EA-322-155	Actuator Plate	31	PR00250X200	PIN, ROLL 1/4 X 2
8	EA-322-157	X-Rail Chain Connector	32	RRE137	Snap Ring (1.375")
9	FO-991073	Spring	33	LCBE-04.0HD	4" Chain Roller
10	HHG8075F0400	BOLT, 3/4 X 4"	37	HY106-112	Hyd Hose
11	NILNJ075FZ	NUT, NYLOCK JAM 3/4-16	38	FO-995210	Safety Rod
12	LCBE-02.5HD	2.5" Chain Roller	39	LCCL-BL634	BL634 Master Link
13	WFSAE075Z	3/4" SAE Washer	40	EA-322-914	Chain Stud (BL634)
14	HHG8075F0350	BOLT, 3/4 X 3-1/2"	41	WA075X0475Z	BOLT, 3/4 X 4.75" ANCHOR
15	WF075Z	3/4" USS Washer	42	NILN100FZ	NUT, NYLOCK 1"
21	EA-322-421	Latch Reset	43	WFSAE100Z	WASHER, 1" SAE
22	EA-322-423	Pair of Latch Plate (Dog Leg)	44	NH075CZ	Nut, 3/4-10 Nut
23	EA-322-424	Latch Pin (Retro Fit)	45	NILN075FZ	NUT, 3/4-16 NYLOCK
24	EA-070-002	Cylinder Guide Wheel (Retro Fit)	47	N/A	N/A
25	EA-021-003	3.5" x 72" Cylinder	48	SSB031X0150	5/16" Bolt Shoulder
			49	NILN025C	1/4" Nylock Nut

MODEL SPECIFIC PARTS

T90 - Weaver / TR3 - Grand / FP12-N New Grand

ITEM	PART NUMBER	DESCRIPTION	ITEM	PART NUMBER	DESCRIPTION
5	EA-321-100	Cross Rail	20	EA-322-400	Top Rail
16	GR-322-200	Track	34	LCHA992604	Lifting Chain Long
17	GR-322-217	Track Stop	35	LCHA992603	Lifting Chain Short
18	GR-322-250	Ramp	36	LC-P30012	X-Rail Chain
19	EA-322-256	Ramp Pin			

T12 - Weaver / TR5 - Grand / FP12 New Grand

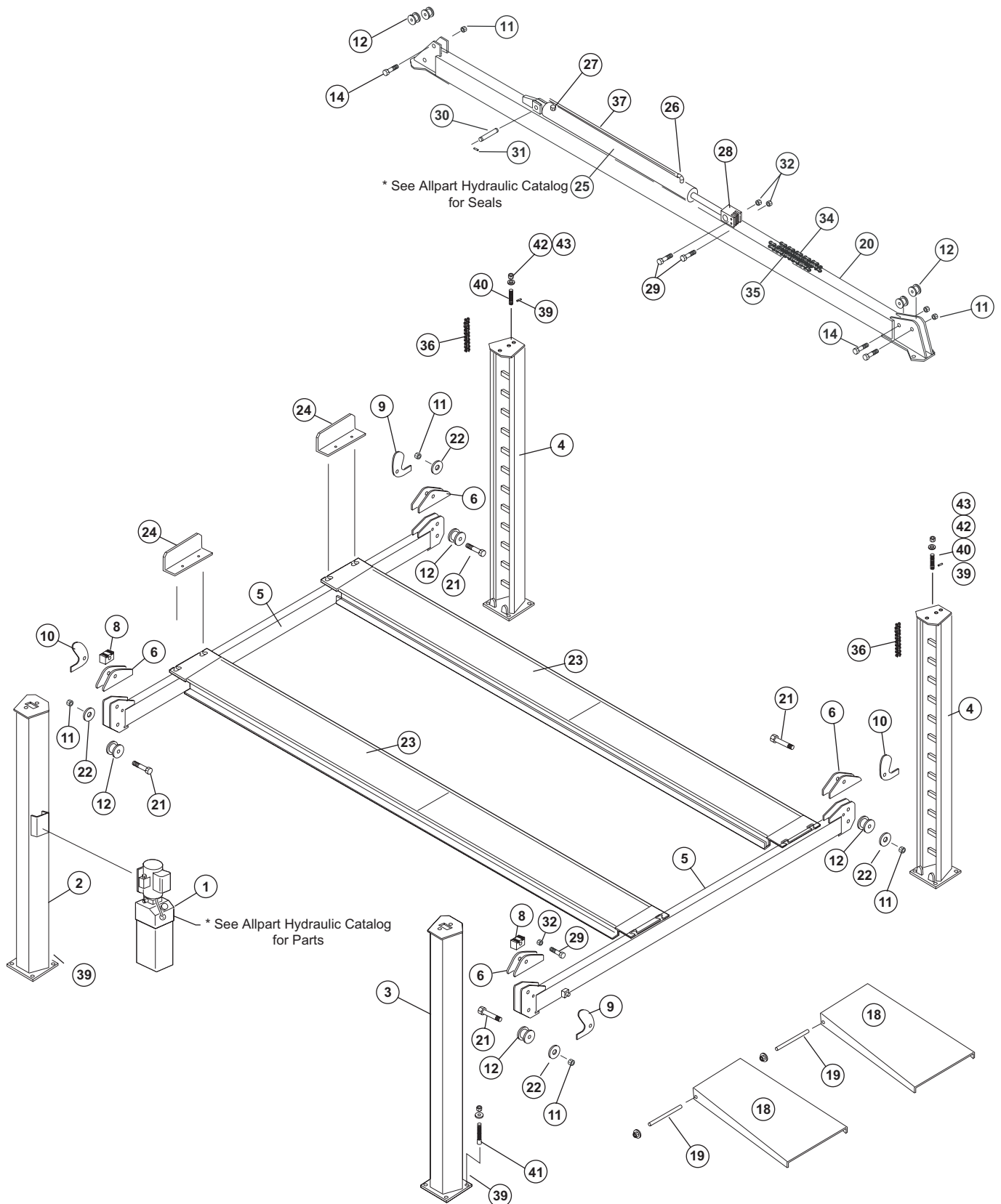
ITEM	PART NUMBER	DESCRIPTION	ITEM	PART NUMBER	DESCRIPTION
5	EA-322-100	Cross Rail	20	EA-323-400	Top Rail
16	GR-322-200	Track	34	LCHA992611	Lifting Chain Long
17	GR-322-217	Track Stop	35	LCHA992610	Lifting Chain Short
18	GR-322-250	Ramp	36	LCHA992612	X-Rail Chain
19	GR-322-256	Ramp Pin			

GRAND / NEW GRAND

GRAND / NEW GRAND / GEMINI (prior to 2000)

30K FOUR POST LIFT

ILLUSTRATIONS ARE FOR REFERENCE ONLY AND MAY NOT BE EXACT REPRESENTATION



GRAND / NEW GRAND

ALLPART SUPPLY, INC.
1-800-381-1330 - Fax 817-284-2935

GRAND / GEMINI (prior to 2000)
30K FOUR POST LIFT
COMMON PARTS
to all 30K Lift Models

ITEM	PART NUMBER	DESCRIPTION	ITEM	PART NUMBER	DESCRIPTION
1	AB1271A	Power Unit	25	FO-992304	Cylinder
2	GR-250102	Leg, Power Unit	26	2501-6-6	Elbow Fitting
3	GR-250101	Leg, Mainside	27	HY-3/8VP	Breather Plug
4	GR-250201	Leg, Offside	28	GR-995370	Cylinder Chain Connector
5	GR-250406	Cross Rail	29	HHG8038FO500	Shoulder Bolt
6	GR-250402	Safety Latch	30	EA-329-467	Cylinder Pin
8	GR-995360	Cross Rail Chain Connector	31	PR00250X200	Roll Pin
9	GR-995420	Latch Reset LH	32	NILN037CZ	3/8" Nyloc Nut
10	GR-995421	Latch Reset RH	35	LCHA992603	Lifting Chain, Short 646
11	NILNJ075FZ	NUT, NYLOCK JAM 3/4-16	36	LCHA992605	Cross Rail Chain 646
12	LCBE-02.5HD	Chain Roller 3/4" ID	37	HY106-191	Hydraulic Hose
14	HHG8075F0650	Bolt	39	LCCL-BL646	Master Link
18	GR-250502	Ramps	40	EA-329-901	Stud, Chain Anchor
19	N/A	N/A	41	WA075X0550Z	Anchor Bolt
21	HHG8075FO550	Bolt	42	NILN112FZ	Nut, Nylock
22	GR-250507	Spacer	43	WFSAE125Z	SAE Washer
24	GR-250530	Wheel Stop			

MODEL SPECIFIC PARTS

TR-15

20'

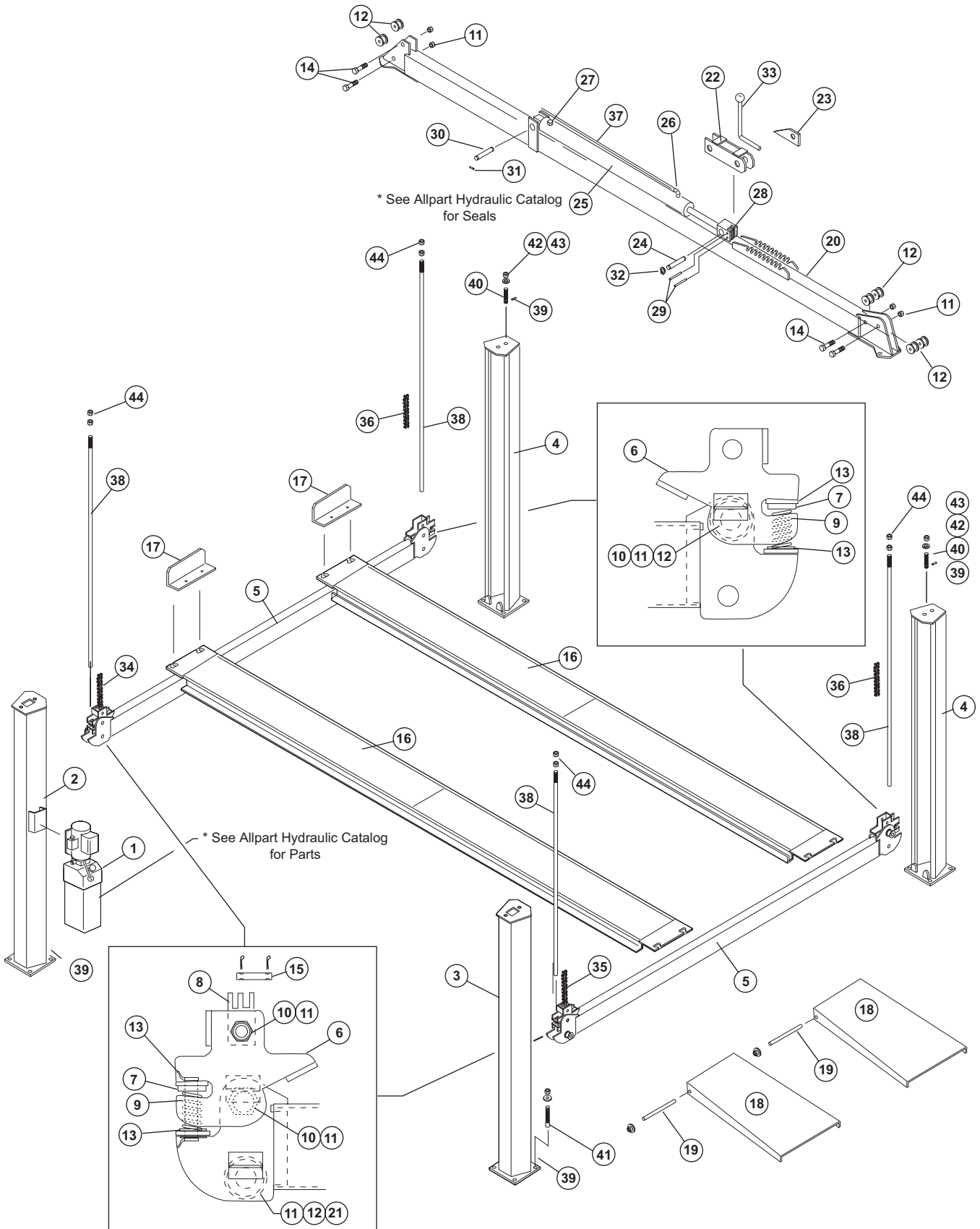
ITEM	PART NUMBER	DESCRIPTION	ITEM	PART NUMBER	DESCRIPTION
20	GR-250301	Top Rail for 3/4" ID Bearing	23	GR-250501	Track
			34	LCHA992607	Lifting Chain, Long 646

GRAND / NEW GRAND

NEW GRAND

25K-30K FOUR POST LIFT

ILLUSTRATIONS ARE FOR REFERENCE ONLY AND MAY NOT BE EXACT REPRESENTATION



GRAND / NEW GRAND

NEW GRAND
25K-30K FOUR POST LIFT
COMMON PARTS
to all 25K-30K Lift Models

ITEM	PART NUMBER	DESCRIPTION	ITEM	PART NUMBER	DESCRIPTION
1	AB1271A	Power Unit	24	AM-329-464	Pin, Latch
2	EA-329-300	Main Side Leg (Power Unit)	25	AM-021-004	Cylinder, 5" x 1.5"
3	EA-329-320	Main Side Leg	26	2501-6-6	90 Deg. Hydraulic Fitting
4	EA-329-330	Off Side Leg	27	HY-3/8VP	Breather Plug
5	EA-329-110	Cross Rail Weldment	28	AM-329-465	Cyl. Chain Conn. 1.5"
6	EA-329-121	Safety Latch (Texas)	29	EA-329-465P	Cyl. Chain Conn. Pin 1-3/4 Rod
7	EA-329-127	Actuator Plate	30	EA-329-467	Cylinder Pin
8	EA-329-126	X-Rail Chain Connector	31	PR00250X200	PIN, ROLL 1/4 X 2
9	GE-991073	Spring	32	RRE137	Snap Ring (1.375")
10	HHG8075F0500	BOLT, 3/4 X 5"	33	EA-329-460	Weldment, Latch Release Handle
11	NILNJ075FZ	NUT, NYLOCK JAM 3/4-16	35	LC-P30008	Chain, Short
12	LCBE-04.OHD	4" Chain Roller	36	LC-P30005	Chain, Cross Rail
13	WFSAE100Z	1" SAE Washer	37	HY106-191	Hyd Hose
14	HHG8075F0650	BOLT, 3/4 X 6.5" GR8	38	EA-019-018	Safety Rod
15	EA-329-126P	5/16" Pin	39	LCCL-BL646	BL646 Master Link
17	EA-329-219	STOP, TRACK	40	EA-329-901	Chain Stud (BL646)
18	EA-324-250	Weldment, Ramp	41	WA075X0550Z	BOLT, 3/4 X 5-1/2" ANCHOR
19	N/A	N/A	42	NILN112FZ	NUT, NYLOCK 1-1/8"
21	HHG8075F400	Bolt, 3/4 x 4"	43	WFSAE112Z	WASHER, 1-1/8" SAE
22	EA-329-440	Weldment, Top Rail Safety Latch	44	NH100CZ	Nut, 1-14 Hex
23	EA-329-463	Reset Latch			

MODEL SPECIFIC PARTS

FP25 , FP30

20'

ITEM	PART NUMBER	DESCRIPTION	ITEM	PART NUMBER	DESCRIPTION
16	EA-329-200	Weldment, Track	34	LC-P30002	Chain, Long
20	EA-329-410	Weldment, Top Rail			

FP25, FP30

26'

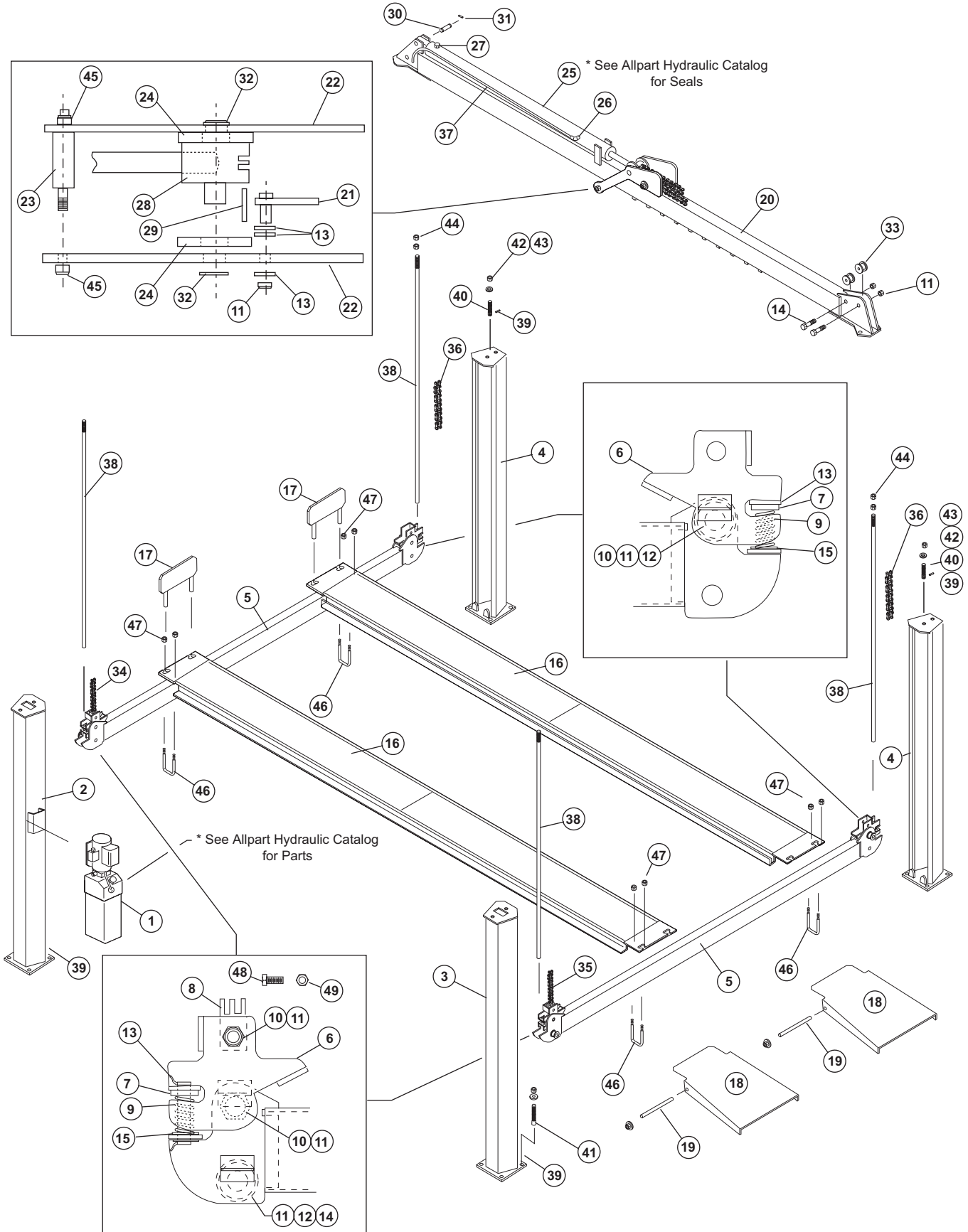
ITEM	PART NUMBER	DESCRIPTION	ITEM	PART NUMBER	DESCRIPTION
4A	EA-330-340	Weldment, 5TH Leg	20	EA-330-410	Weldment, Top Rail
16	EA-330-200	Weldment, Track	34	LC-P30010	Chain, Long

GRAND / NEW GRAND

WORTH

12K FOUR POST LIFT

ILLUSTRATIONS ARE FOR REFERENCE ONLY AND MAY NOT BE EXACT REPRESENTATION



WORTH

ALLPART SUPPLY, INC.
1-800-381-1330 - Fax 817-284-2935

WORTH 12K FOUR POST LIFT

COMMON PARTS to all 12K Lift Models

ITEM	PART NUMBER	DESCRIPTION	ITEM	PART NUMBER	DESCRIPTION
1	AB1270	Power Unit	26	2501-6-6	90 Deg. Hydraulic Fitting
2	EA-322-300	Main Side Leg (Power Unit)	27	HY-3/8VP	Breather Plug
3	EA-322-320	Main Side Leg	28	EA-322-430	Cylinder Chain Connector
4	EA-322-330	Off Side Leg	29	PD031X250	Cylinder Chain Connector Pin
6	EA-322-151	Safety Latch (Texas)	30	EA-322-431	Cylinder Pin
7	EA-322-155	Actuator Plate	31	PR00250X200	PIN, ROLL 1/4 X 2
8	EA-322-157	X-Rail Chain Connector	32	RRE137	Snap Ring (1.375")
9	FO-991073	Spring	33	LCBE-04.0HD	4" Chain Roller
10	HHG8075F0400	BOLT, 3/4 X 4"	37	HY106-112	Hyd Hose
11	NILNJ075FZ	NUT, NYLOCK JAM 3/4-16	38	FO-995210	Safety Rod
12	LCBE-02.5HD	2.5" Chain Roller	39	LCCL-BL634	BL634 Master Link
13	WFSAE075Z	3/4" SAE Washer	40	EA-322-914	Chain Stud (BL634)
14	HHG8075F0350	BOLT, 3/4 X 3-1/2"	41	WA075X0475Z	BOLT, 3/4 X 4.75" ANCHOR
15	WF075Z	3/4" USS Washer	42	NILN100FZ	NUT, NYLOCK 1"
21	EA-322-421	Latch Reset	43	WFSAE100Z	WASHER, 1" SAE
22	EA-322-423	Pair of Latch Plate (Dog Leg)	44	NH075CZ	Nut, 3/4-10 Nut
23	EA-322-424	Latch Pin	45	NILN075FZ	NUT, 3/4-16 NYLOCK
24	EA-070-002	Cylinder Guide Wheel	47	N/A	N/A
25	EA-021-003	3.5" x 72" Cylinder	48	SSB031X0150	5/16" Bolt Shoulder
			49	NILN025C	1/4" Nylock Nut

MODEL SPECIFIC PARTS (15'-6" with 14" Track)

Model 12000

ITEM	PART NUMBER	DESCRIPTION	ITEM	PART NUMBER	DESCRIPTION
5	EA-322-100	Cross Rail	20	EA-322-400	Top Rail
16	EA-322-200	Track	34	LC-P30004	Lifting Chain Long
17	EA-322-217	Track Stop	35	LC-P30007	Lifting Chain Short
18	EA-322-250	Ramp	36	LCHA992612	X-Rail Chain
19	EA-322-256	Ramp Pin			

Model 12000E

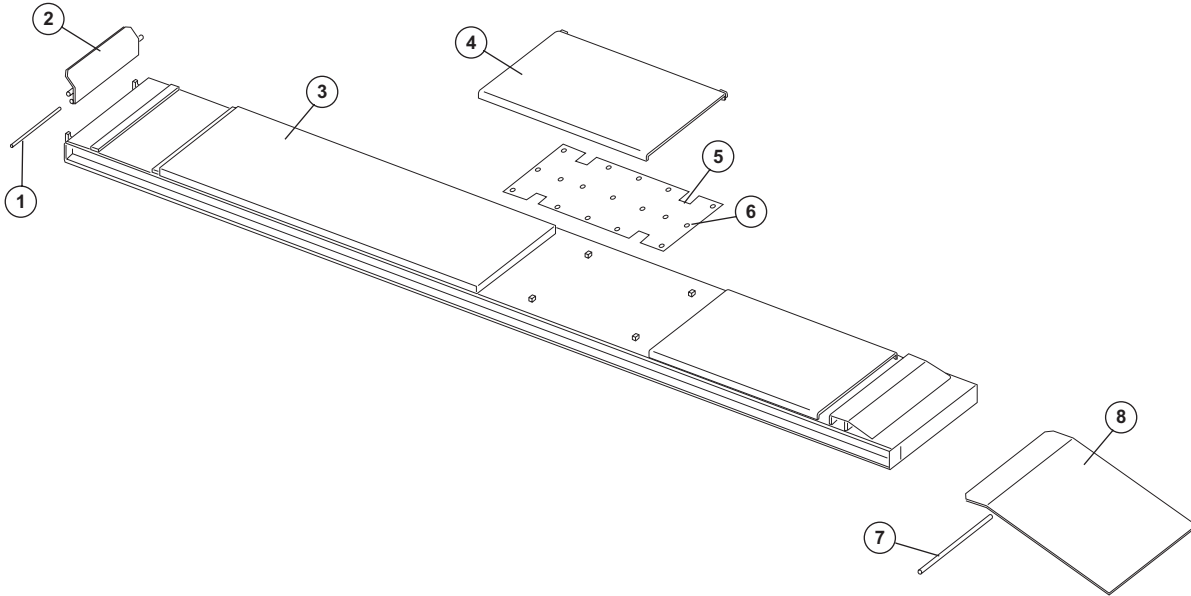
(17'-2" with 14" Track)

ITEM	PART NUMBER	DESCRIPTION	ITEM	PART NUMBER	DESCRIPTION
5	EA-322-100	Cross Rail	20	EA-323-400	Top Rail
16	EA-323-200	Track	34	LC-P30003	Lifting Chain Long
17	EA-323-217	Track Stop	35	LC-P30006	Lifting Chain Short
18	EA-322-250	Ramp	36	LCHA992612	X-Rail Chain
19	EA-322-256	Ramp Pin			

WORTH 12K FOUR POST LIFT

12K ALIGNMENT TRACK

ILLUSTRATIONS ARE FOR REFERENCE ONLY AND MAY NOT BE EXACT REPRESENTATION



ITEM	PART NUMBER	DESCRIPTION	ITEM	PART NUMBER	DESCRIPTION
1	WO-334-231	Front Stop Pin	5	WO-334-215	Ball Locator Weldment
2	WO-334-232	Front Stop Weldment	6	FO-991115	1" Steel Balls
3	WO-334-200	RH Platform Weldment	7	WO-334-257	Ramp Mount Pin
3	WO-334-201	LH Platform Weldment	8	WO-334-250	Ramp Assembly
4	WO-334-214	Slip Plate Weldment			

WORTH

WORTH

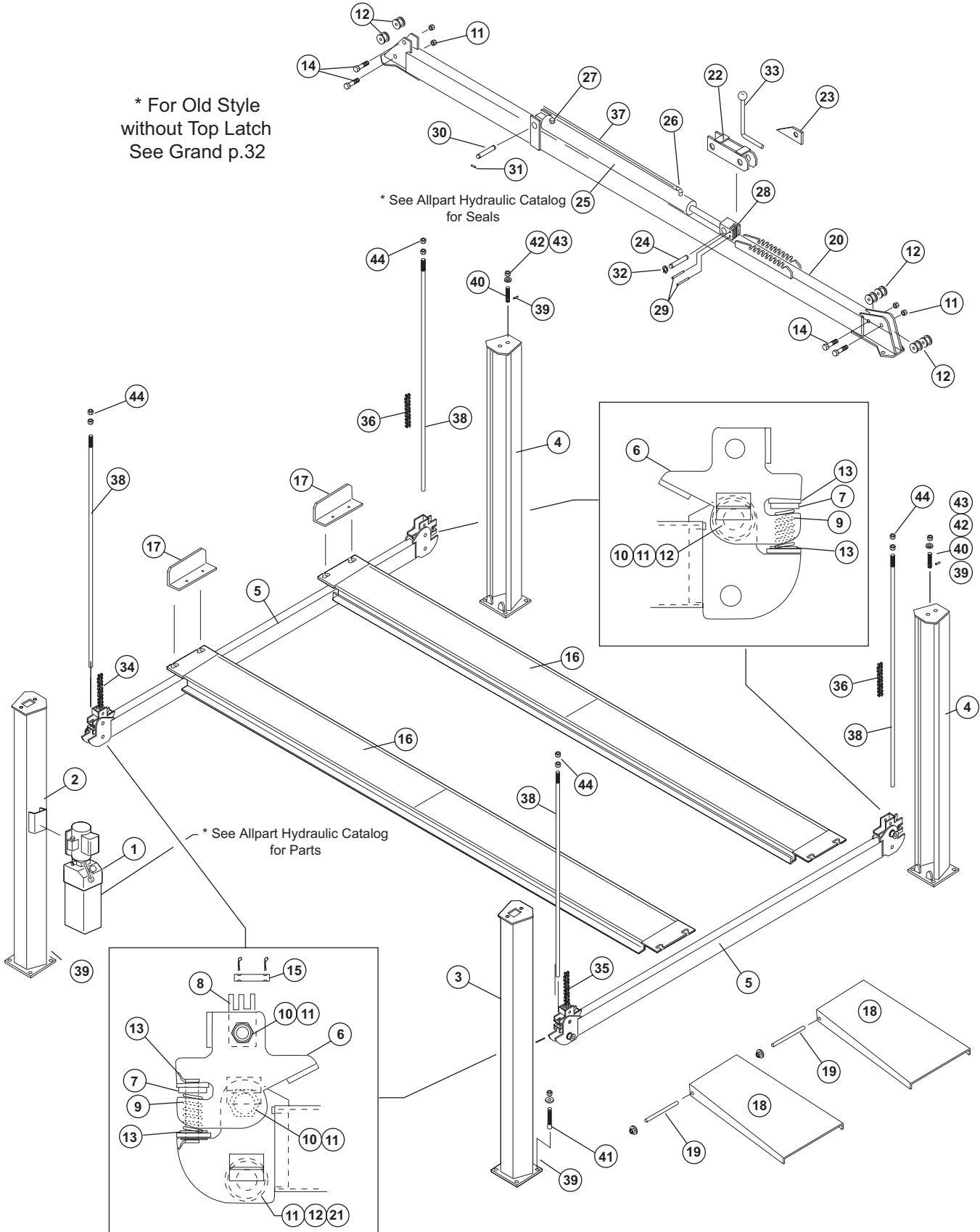
25K-30K FOUR POST LIFT

ILLUSTRATIONS ARE FOR REFERENCE ONLY AND MAY NOT BE EXACT REPRESENTATION

* For Old Style
without Top Latch
See Grand p.32

* See Allpart Hydraulic Catalog
for Seals

* See Allpart Hydraulic Catalog
for Parts



ALLPART SUPPLY, INC.
1-800-381-1330 - Fax 817-284-2935



WORTH
25K - 30K FOUR POST LIFT
COMMON PARTS
to all 25K - 30K Lift Models

ITEM	PART NUMBER	DESCRIPTION	ITEM	PART NUMBER	DESCRIPTION
1	AB1271A	Power Unit	24	EA-329-464	Pin, Cyl Chain Connector
2	EA-329-300	Main Side Leg (Power Unit)	25	AM-021-004	Cylinder, 5" X 1.5"
3	EA-329-320	Main Side Leg	25A	EA-021-004	Cylinder, 5.5" x 1.75"
4	EA-329-330	Off Side Leg	26	EA-023-002	90 Deg. Hydraulic Fitting
5	EA-329-110	Cross Rail Weldment	27	EA-023-016	Breather Plug
6	EA-329-121	Safety Latch (Texas)	28	AM-329-465	Cylinder Chain Connector, 1.5"
7	AM-329-127	Actuator Plate for 1-1/8" Dia. Rod	28A	EA-329-465	Cylinder Chain Connector, 1.75"
7A	EA-329-127	Actuator Plate for 1" Dia. Rod	29	EA-329-465P	Cylinder Chain Connector Pin
8	EA-329-126	X-Rail Chain Connector	30	EA-329-467	Cylinder Pin
9	GE-991073	Spring	31	PR00250X200	PIN, ROLL 1/4 X 2
10	HHG8075F0500	BOLT, 3/4 X 5"	32	RRE137	Snap Ring (1.375")
11	NILNJ075FZ	NUT, NYLOCK JAM 3/4-16	33	EA-329-460	Weldment, Latch Release Handle
12	LCBE-04.0HD	4" Chain Roller	35	LC-P30008	Chain, Short
13	WFSAE112Z	Washer, SAE for 1-1/8" Dia. Rod	36	LC-P30005	Chain, Cross Rail
13A	WFSAE100Z	Washer, SAE for 1" Dia. Rod	37	HY106-170	Hyd Hose, 170"
14	HHG8075F0650	BOLT, 3/4 X 6.5" GR8	38	AM-019-018	Safety Rod, 1-1/8" Dia.
15	EA-329-126P	5/16 Pin	38A	EA-019-018	Safety Rod, 1" Dia.
17	AM-329-219	STOP, TRACK	39	LCCL-BL646	BL646 Master Link
18	AM-324-250	Weldment, Ramp	40	EA-329-901	Chain Stud (BL646)
19	N/A	N/A	41	WA075X0550Z	BOLT, 3/4 X 5-1/2" ANCHOR
21	HHG8075F400	Bolt, 3/4 x 4"	42	NILN112FZ	NUT, NYLOCK 1-1/8"
22	EA-329-440	Weldment, Top Rail Safety Latch	43	WFSAE112Z	WASHER, 1-1/8" SAE
23	EA-329-463	Reset Latch	44	NH112CZ	NUT, 1-1/8" HEX
			44A	NH100CZ	NUT, 1" HEX

* For Old Style without Top Latch
See Grand p.32

MODEL SPECIFIC PARTS

25k - 30k

20'

ITEM	PART NUMBER	DESCRIPTION	ITEM	PART NUMBER	DESCRIPTION
16	EA-329-200	Weldment, Track	34	LC-P30002	Lifting Chain, Long
20	EA-329-410	Weldment, Top Rail			

25k - 30k

26'

ITEM	PART NUMBER	DESCRIPTION	ITEM	PART NUMBER	DESCRIPTION
4A	EA-330-340	Weldment, 5TH Leg	20	EA-330-410	Weldment, Top Rail
16	EA-330-200	Weldment, Track	34	LC-P30010	Lifting Chain, Long

WORTH